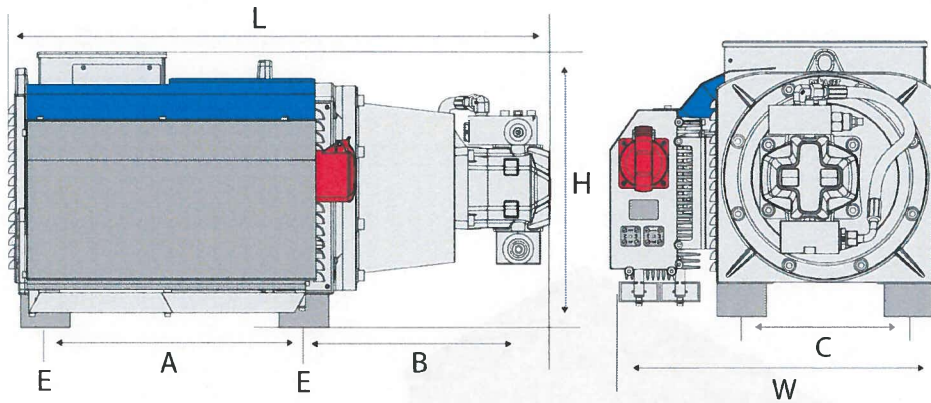


**DATA SHEET**  
**HMG/CMG PRO HYDRAULIC MAGNET GENERATOR**



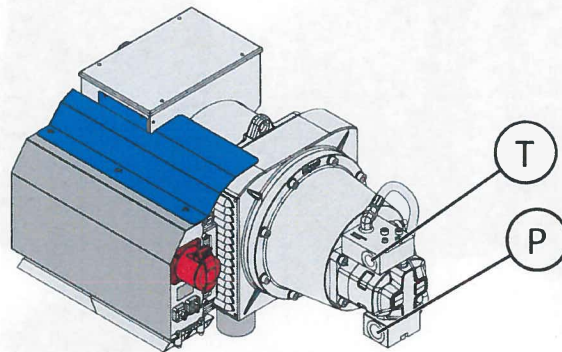
HMG/CMG PRO15kW-220VDC-65  
HMG/CMG PRO 20kW-220VDC-86

### DIMENSIONS



MODEL	DIMENSIONS, mm (in)							WEIGHT	
	L	W	H	A	B	C	E	kg (lbs)	
HMG/CMG PRO15kW-220VDC-65	820 (32.3)	512 (20.3)	415 (16.3)	390 (15.4)	385 (15.2)	254 (10)	M12	145 (320)	
HMG/CMG PRO 20kW-220VDC-86	875 (34.4)	512 (20.3)	415 (16.3)	430 (16.9)	385 (15.2)	254 (10)	M12	163 (359)	

### HYDRAULIC PORTS



MODEL	PRESSURE LINE	RETURN LINE	DRAIN LINE
	P	T	D
HMG/CMG PRO15kW-220VDC-65	BSP 3/4"	BSP 1"	BSP 1/4"
HMG/CMG PRO 20kW-220VDC-86	BSP 3/4"	BSP 1"	BSP 1/4"



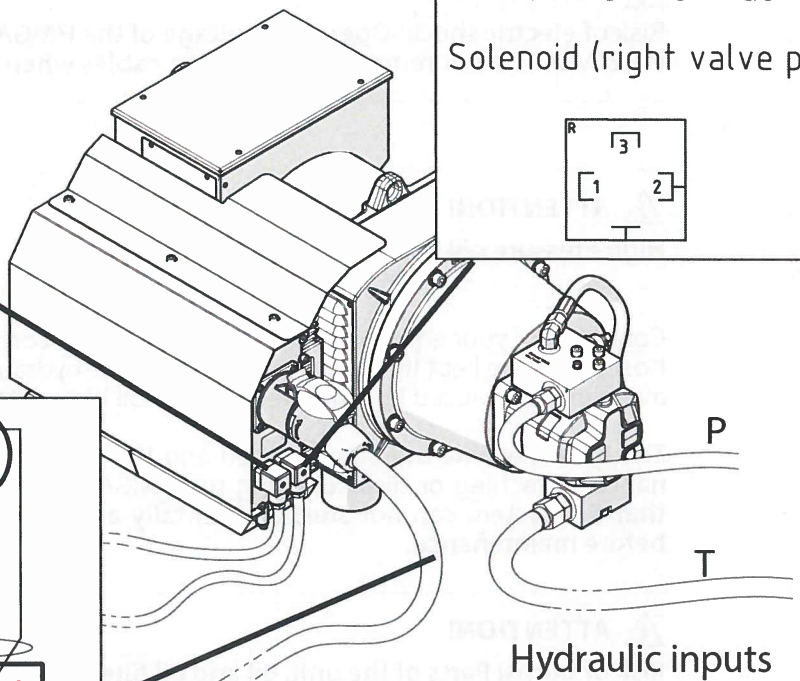
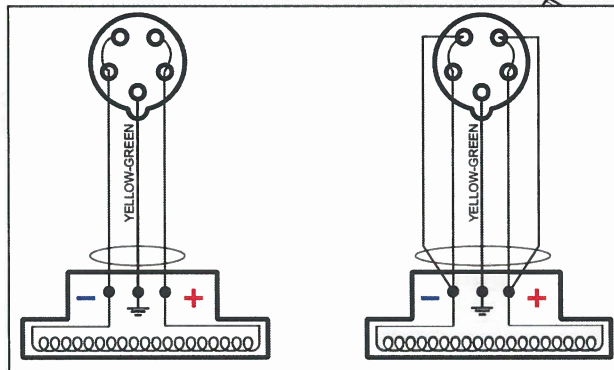
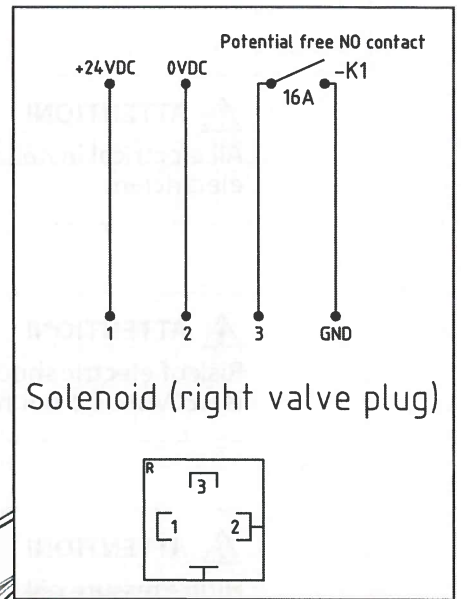
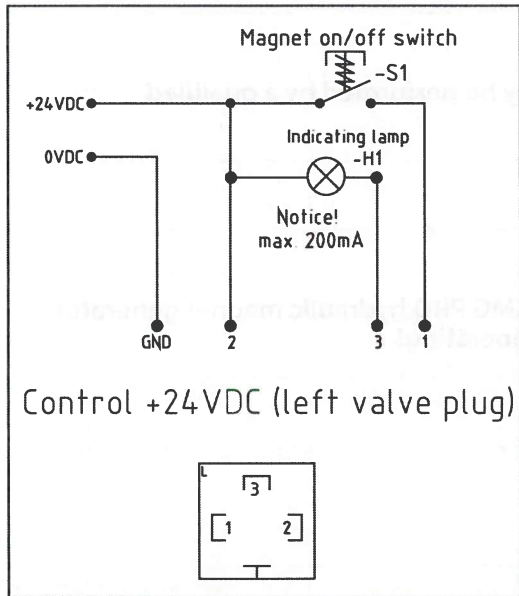
### TECHNICAL SPECIFICATIONS

		HMG/CMG PRO 15kW 65	HMG/CMG PRO 20kW 86
<b>OUTPUT CHARACTERISTICS</b>			
Generator power max.	<b>kW</b>	15	20
Magnet coil power max.	<b>KW</b>	14,5	19,5
Operating voltage	<b>VDC</b>	220±5%	
Auxiliary electricity		Optional	
Operating control voltage	<b>VDC</b>	6 - 32*	
<b>HYDRAULIC POWER REQUIREMENTS</b>			
Flow min.	<b>l/min (gpm)</b>	67 (17.69)	88 (23.23)
Flow max.	<b>l/min (gpm)</b>	95 (25.08)	106 (27.98)
Pressure at nominal power output	<b>bar (psi)</b>	180 (2611)	160 (2321)
Pressure max.	<b>bar (psi)</b>	210 (3046)	210 (3046)
Pressure when unloaded	<b>bar (psi)</b>	40 (580)	30 (435)
<b>HYDRAULIC FLUID REQUIREMENTS</b>			
Viscosity	<b>cSt</b>	10-200 / optimum 25-35	
Temperature	<b>°C (°F)</b>	max. 70 (158)	
Filter ratio, recommendation	<b>um</b>	25 ≥	
Cooling capacity requirements	<b>kW</b>	3,6	4,0

Gallons are U.S. liquid gallons

\* Only with HMG PRO

Other options available by request.



Location of input and output ports differ between hydraulic generator models.

CONNECTIONS		HMG / CMG PRO 15	HMG / CMG PRO 20
Pressure line	P	BSP 3/4"	BSP 3/4"
Return line	T	BSP 1"	BSP 1"
Drain line	Dr	BSP 1/4"	BSP 1/4"

## QUICK GUIDE HYDRAULIC MAGNET GENERATORS



HMG / CMG PRO 15  
HMG / CMG PRO 20

## WARNINGS

 **ATTENTION!**

Operator and maintenance personnel must act in compliance with the laws, regulations and recommendations issued by the local electricity and work safety authorities.

 **ATTENTION!**

All electrical installations and maintenance should only be performed by a qualified electrician.

 **ATTENTION!**

Risk of electric shock! Operating voltage of the HMG/CMG PRO hydraulic magnet generator is 220VDC. Do not remove any covers or cables when operating!

 **ATTENTION!**

High Pressure oil! Can cause severe injuries.

Condition of your equipment are to be kept under constant observation. All couplings, valves and hoses are to be kept tight and clean. Leaks in the hydraulic system must be repaired immediately to avoid injuries caused by high pressure and oil blowouts.

The base machine must be stopped and the hydraulic circuit be depressurized prior to maintenance, detaching or disassembling the HMG/CMG PRO hydraulic magnet generator. **Make sure that the system can not start accidentally and the charge of any electric parts is discharged before maintenance.**

 **ATTENTION!**

Risk of burns! Parts of the unit, oil and oil filter cap can be hotter than 80°C!

 **ATTENTION!**

Do not exceed the maximum pressure, temperature or load!

 **ATTENTION!**

Do not go under the magnets load!

 **ATTENTION!**

Magnetic interference! Magnets magnetfield can damage electronic devices. Keep clear from medical and electronical devices.

When working with HMG/CMG PRO hydraulic magnet generators or accessories, wear appropriate protective clothing, safety goggles, gloves, ear protection.

Warning labels are included with each main product. Product recipient is obligated to place warning labels on the DYNASET product. Attach labels to visible and appropriate place onto or close to DYNASET product where it's easily seen. Clean surface with solvent detergent before attaching labels.



## DECLARATION OF CONFORMITY

We hereby declare that the design and manufacture of the product stated below are in conformity with the provisions of the European Parliament and Councils on the harmonization of the laws of Member States on the safety of machines.

**Machine directive 2006/42/EC**

**LVD directive 2006/95/EC**

**EMC directive 2004/108/EC**

Applied conformity standards:

**CEN EN ISO 4413: EN ISO 4413:2010** Hydraulic fluid power -  
General rules and safety requirements for systems and their components.

**EN60204-1** Safety of machinery – Electrical equipment of machines.


Manufacturer: **DYNASET Oy**  
Menotie 3, FI-33470 Ylöjärvi, Finland

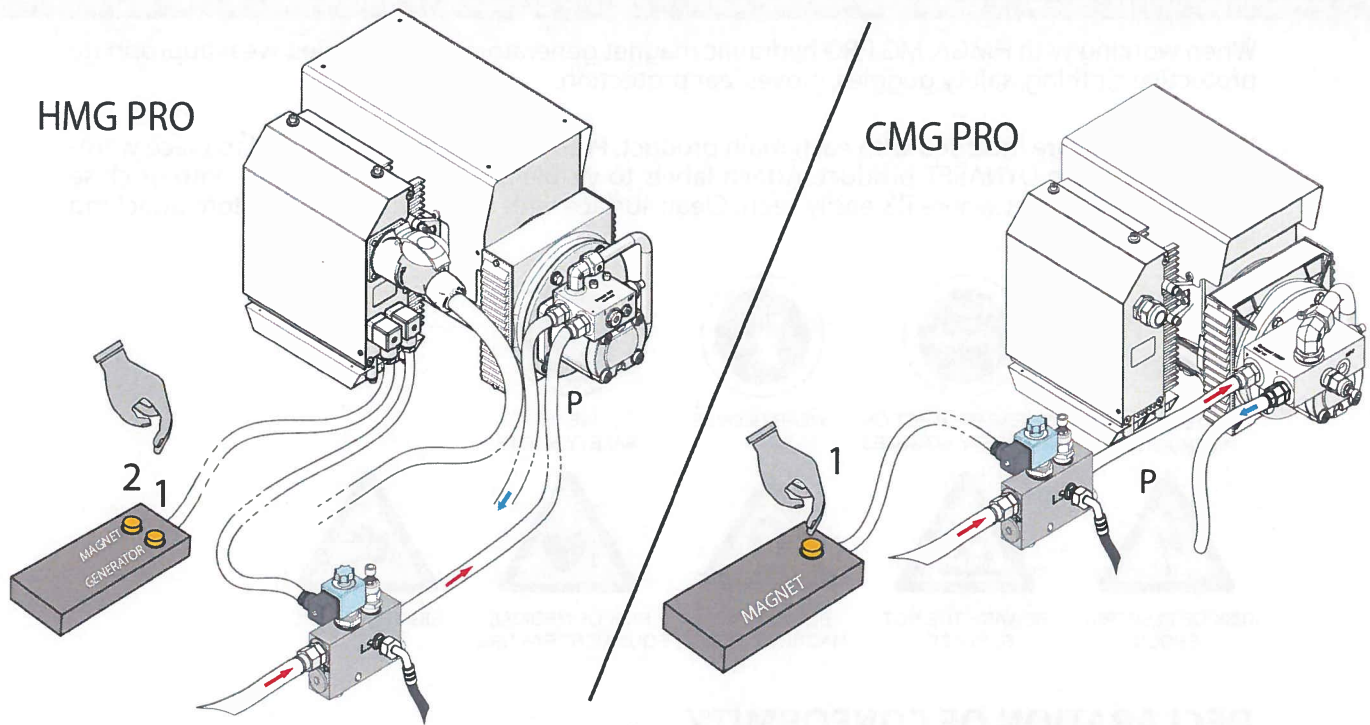
Product group: **HYDRAULIC MAGNET GENERATORS**

Product: **HMG PRO** Hydraulic magnet generator  
**CMG PRO** Hydraulic magnet generator

If the device has been modified by someone other than the manufacturer or without the manufacturer's permission, this declaration is not valid.



  
Timo Nieminen  
R&D Manager  
Ylöjärvi, Finland 01.12.2015



The HMG PRO hydraulic magnet generator is started by opening the solenoid valve (1). The magnetizing is started by activating the magnetizing button(2).

The CMG PRO hydraulic magnet generator is started and magnetizing is activated at the same time when the hydraulic flow is opened to the magnet generator (1).

Picture is an example although the function is the same. Location of the ports and connections may vary between models.

		HMG / CMG PRO 15	HMG / CMG PRO 20
<b>HYDRAULIC POWER REQUIREMENTS</b>			
Flow min.	l/min (gpm)	68 (17.95)	94 (24.82)
Flow max.	l/min (gpm)	95 (25.08)	110 (29.04)
Pressure max.	bar (psi)	210 (3046)	
<b>HYDRAULIC FLUID REQUIREMENTS</b>			
Viscosity	cSt	10-200 / optimum 25-35	
Temperature hydraulic fluid	°C(°F)	max. 70 (158)*	
Filter ratio	µm	25 or better	
Cleanliness level	ISO 4406	19/17/14	

\*Depending on hydraulic fluid. Read more at manual chapter 6.2 "Hydraulic fluids"

**READ THE DETAILED SAFETY, OPERATING AND INSTALLATION INSTRUCTIONS FROM THE USER MANUAL!**

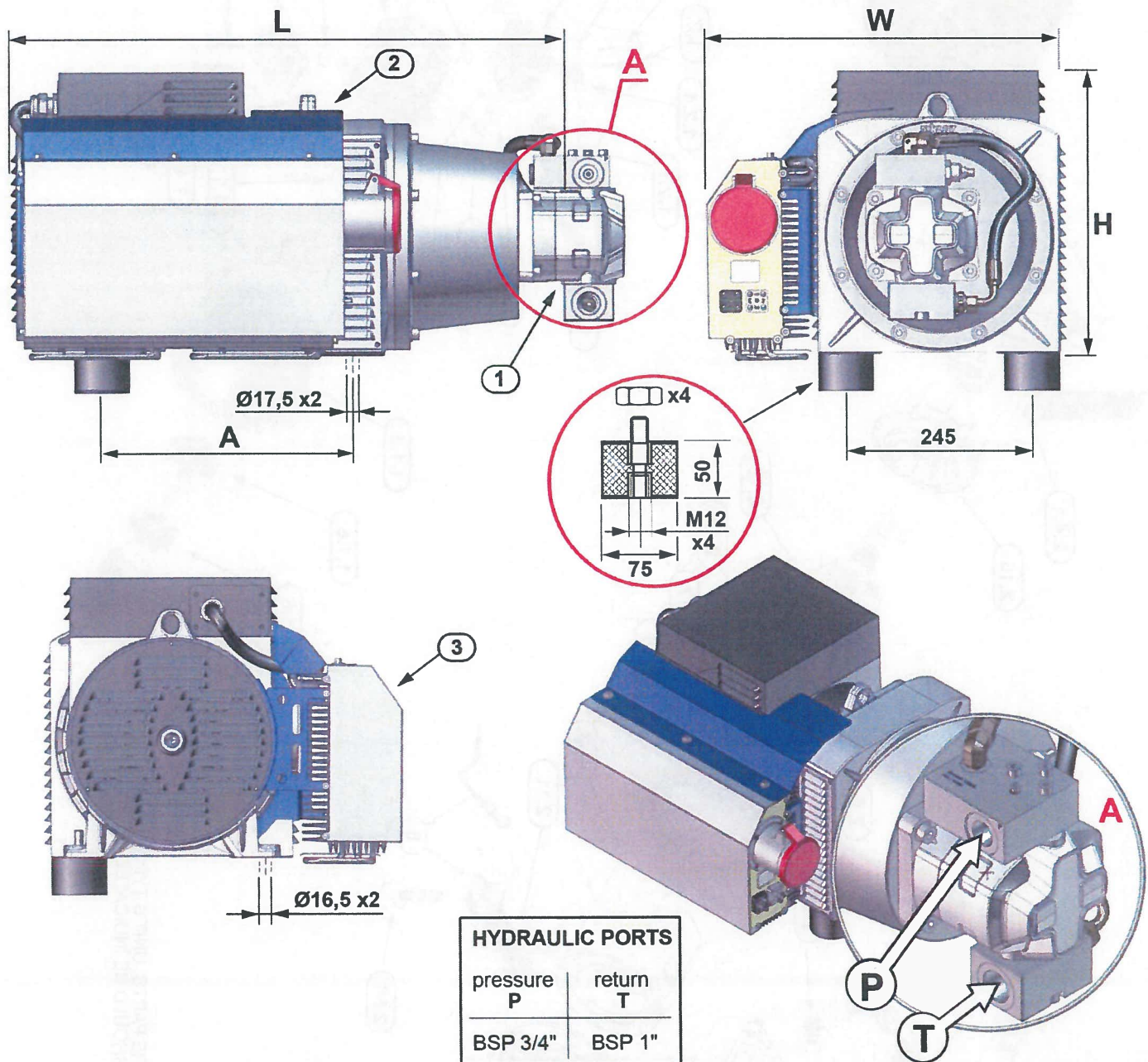


Download the full user manual

Dynaset hydraulic magnet generator HMG can be used in various applications; Recycling, cleaning and handling of scrap metal, castings, bars, plates, swarf, slag, etc.

Dynaset hydraulic magnet generator transforms the hydraulic power of a working machine into high quality magnet lifting power effectively to any magnet available. Working machine is always ready to lift and handling accurately ferrous materials. Automatic speed control with quick demagnetization guarantee safe working and long maintenance intervals.

### MAIN ASSEMBLY AND SPECIFICATIONS



	HYDRAULIC FLOW		COIL POWER kW max	VOLTAGE U V±%	AUXILIARY ELECTRICITY		WEIGHT kg	DIMENSIONS mm			
	l/min min	l/min max			VAC	kVA		L	W	H	A
<b>HMGPRO15kW-220VDC-65</b>	69	95	14,5	225 ±%5	3,5	9,0	120	845	500	385	343
<b>HMGPRO20kW-220VDC-86</b>	91	110	19,5	225 ±%5	3,5	9,0	160	900	500	385	343

Protection class IP23 \* optional



**DYNASET****GENSCO**

HYDRAULIC MAGNETIC GENERATOR, PRO-SERIES

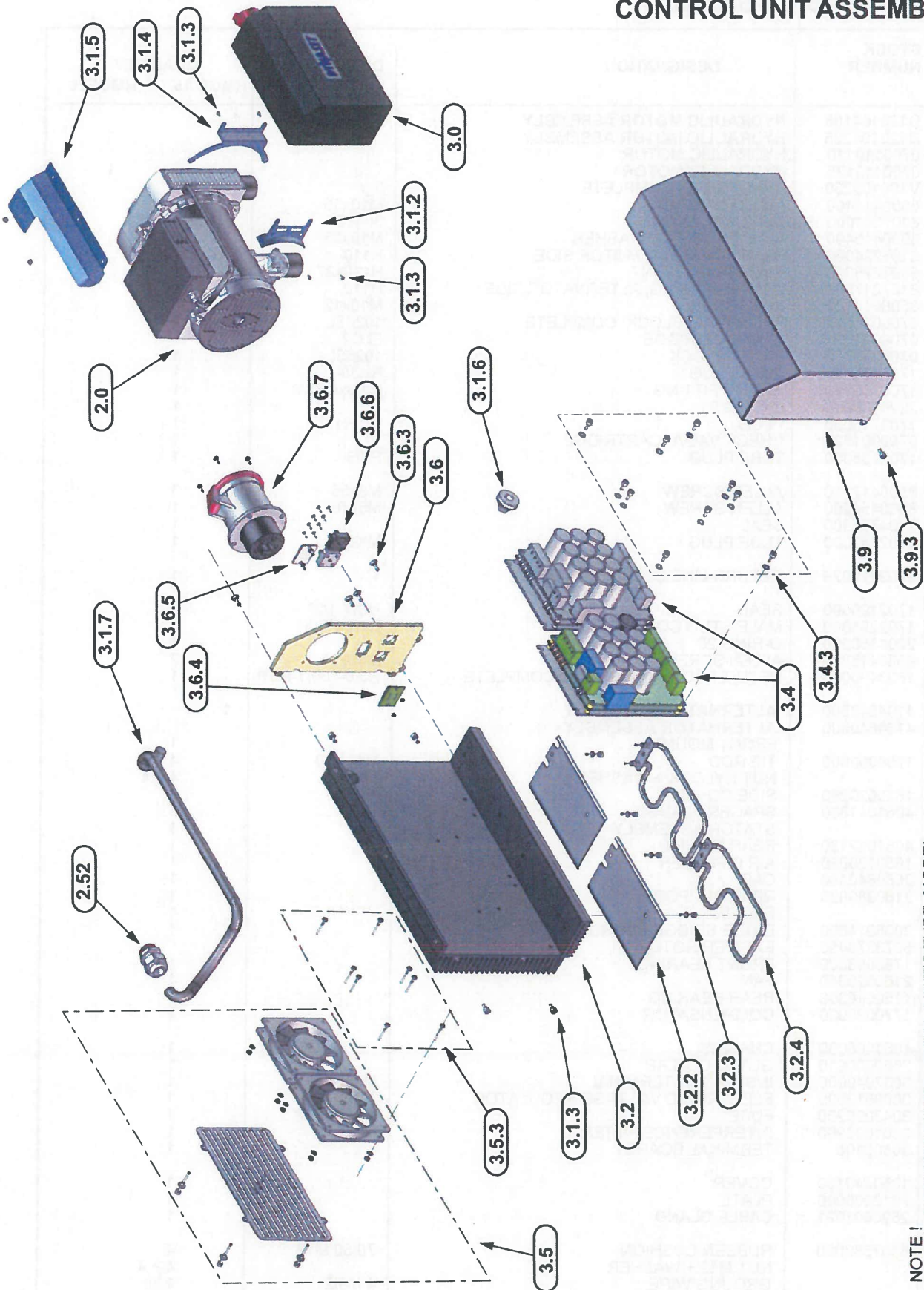
HMG PRO 15kW-220VDC-65

HMG PRO 20kW-220VDC-86

**PART LIST BASIC ASSEMBLY**

No	STOCK NUMBER	DESIGNATION	DETAILS	QUANTITY	
				HMGE 15	HMGE20
1	D120104195	HYDRAULIC MOTOR ASSEMBLY		1	
	D120104225	HYDRAULIC MOTOR ASSEMBLY			1
1.1	0700110110	HYDRAULIC MOTOR		1	
	0700110125	HYDRAULIC MOTOR			1
1.1.1	V100103250	SHAFT SEAL, COMPLETE	3 r	1	
1.1.3	8500415400	ALLEN SCREW	M10x35	4	
1.1.5	8107301000	MOTOR FLANGE	3r-180	1	
	8500415400	ALLEN SCREW + WASHER	M10x35	8 + 8	
1.1.6	8107224000	HALF COUPLING, MOTOR SIDE	H110	1	
1.1.8	8107226000	RUBBER ELEMENT	H110x27	1	
1.1.9	8107217000	HALF COUPLING, ALTERNATOR SIDE	H110	1	
	8500612100	SET SCREW	M10x12	1	
1.2	0700031523	RPM-VALVE BLOCK, COMPLETE	10265L	1	
1.2.1	0700001512	RPM-CARTRIDGE	FLC2	1	
1.2.2	0700031799	VALVE BLOCK	10265L	1	
1.2.3	1702775000	TUBE PLUG	RK3/4	1	
1.2.4	1702365000	ELBOW FITTING	R3/8xRK3/8	1	
1.2.5	2204109000	O-RING 21		1	
1.2.6	1702715000	PLUG	HF R1/2	1	
	0700001525	CHECK VALVE CARTRIDGE		1	
1.2.7	1702705000	TUBE PLUG	R3/8	1	
1.2.8					
1.2.9	8500412710	ALLEN SCREW	M8x55	3	
1.2.10	8500454200	ALLEN SCREW	M5x16	1	
	2104775900	SEAL		1	
1.2.11	1702787000	TUBE PLUG	MK8	1	
1.4	0709010029	RETURN LINE BLOCK, COMPLETE	1"	1	
1.4.2	1702190000	SEAL	USIT 1/2"	1	
1.4.3	1702295000	MALE STUD CONNECTOR	R1/2-R3/8	1	
1.4.4	2204360000	O-RING 29		1	
1.4.5	8500415800	ALLEN SCREW	M10x55	2	
1.5	1803490000	RETURN HOSE ASSEMBLY, COMPLETE	R3/8-400/1-R3/8	1	
2	4104843500	ALTERNATOR ASSEMBLY		1	
2	4104849500	ALTERNATOR ASSEMBLY			1
2.4		FRONT MOUNT		1	
2.4.1	1760090500	TIE ROD	M10 x50	4	
		NUT NYLOCK + WASHER	M10	4 + 4	
2.5	1650020260	SIDE COVER	IP23	2	
2.6	4061011330	SPACER FLANGE		1	
2.7		STATOR ASSEMBLY		1	
2.8	4061012130	REAR MOUNT		1	
2.9	1650120080	AIR DIFFUSER		1	
2.10	2660640180	CAP		1	
2.11	2160080020	REAR SUPPORT		1	
2.12		ROTOR		1	
2.13	3008014000	DIODE BRIDGE BOARD		1	
2.14	5073370450	EXCITER ROTOR			
2.15	1750016309	FRONT BEARING		1	
2.16	2160020040	FAN		1	
2.17	1750016308	REAR BEARING		1	
2.18	1770030900	COMPENSATOR		1	
2.20	4061080030	CHASSIS		1	
2.21	2660600010	GLAND COLLAR		1	
2.22	3057040006	INSULATOR TERMINAL	M6	1	
2.23	3008013000	ELECTRONIC VOLTAGE REGULATOR	AVR	1	
2.24	3043020200	FUSE	5x20 3.15A	1	
2.25	3001020900	INTERFERENCE FILTER	/AVR	1	
2.26	30600106	TERMINAL BOARD		1	
2.50	1650140190	COVER		1	
2.51	7918000000	PLATE		1	
2.52	2690001021	CABLE GLAND		1	
2.60	8307580000	RUBBER CUSHION	70/50 M12	4	
		NUT M12 + WASHER		4 + 4	
2.60.1		GROUN WIRE	4 mm2	1 kit	

### CONTROL UNIT ASSEMBLY



NOTE!  
WHEN ORDERING SPARE PARTS, UNIT'S TYPE, MODEL  
AND SERIAL NUMBER SHOULD BE INDICATED.

**PART LIST CONTROL UNIT**

No	STOCK NUMBER	DESIGNATION	DETAILS	QUANTITY	
				HMGPRO15	HMGPRO20
3.0	9013251	CONTROL UNIT		1	
3.0	9013251	CONTROL UNIT			1
3.1.2	9017653	REAR SUPPORT		1	
3.1.3	8500406000	ALLEN SCREW	M5x10	4	
3.1.4	9017610	FRONT SUPPORT		1	
3.1.5	9017690	COVER	HMG PRO		1
3.1.6	4806087500	CABLE CROMMET	TET 14-20	1	
3.1.7	9017852	POWER CABLE		1	
3.2	9013250	CONTROL UNIT BODY HMGE	20 kW	1	
3.2.2	9012311	THERMAL PLATE		2	
	8500409500	ALLEN SCREW	M6x25	4	
3.2.4	4609011635	HMGE-RESISTOR	12R	2	
3.4	9013234	CONTROL CIRCUIT BOARD		2	
	8500406000	ALLEN SCREW + WASHER	M5x10	10+10	
3.5		FAN + SCREEN ASSEMBLY		1	
	9017691	SCREEN ASSEMBLY		1	
3.5.3	8500406800	ALLEN SCREW + WASHER	M5x40	4	
3.6	0309013259	SHUKO SHOCKET PLATE	HMG PRO20 kW	1	
3.6.3	8507707900	ALLEN SCREW COUNTER SINK	M5x16	4	
3.6.4	9011632	DISPLAY	HMG PRO		1
3.6.5	9011633	SCREEN	HMG PRO		1
3.6.6	4805960000	CONNECTOR, VALVE SOLENOID	HMG	2	
3.6.7	4805928000	SHOCKET SHUKO 5-POLE 63A IP44		1	
3.9	0309013284	COVER CONTROL UNIT	HMG PRO 15-20	1	
3.9.3	8500406000	ALLEN SCREW	M5x10	2	



## GENSCO TERMS AND CONDITIONS OF SALE

Gensco Equipment (1990) Inc. and / or GENSCO AMERICA, Inc. (hereafter referred as the SELLER)

As used herein, and at the discretion of the seller, the term seller shall mean Gensco America Inc., a Georgia Corporation or Gensco Equipment (1990) Inc. an Ontario Corporation and the term "Buyer" shall mean the person or business executing the order for purchase of the equipment or product identified or described in the quote or invoice. (the "equipment" or "product (s)").

This document constitutes the full and final agreement of the parties for the purchase and sale of the goods and services described on this quote or invoice, and is not to be modified or amended by any prior or contemporaneous agreement, whether written or oral. No modification of this agreement shall be in effect unless in writing signed by the parties, and no modification shall be effected by the acknowledgment or acceptance of purchase order forms containing different terms or conditions. This sale is expressly made conditional on Buyers assent to, and Seller agrees to furnish the equipment only upon, these terms and conditions.

**INSPECTION:** BUYER IS ENCOURAGED TO, AND SHALL HAVE THE RIGHT TO INSPECT THE EQUIPMENT PRIOR TO THE TIME OF SHIPMENT. THE BUYER ACKNOWLEDGES THEY ARE A SOPHISTICATED PURCHASER OF MACHINERY AND HEREBY ACCEPTS RESPONSIBILITY FOR DEFECTS OR FAULT IN USED EQUIPMENT PURCHASED "AS-IS".

**IMPORTANT:** EQUIPMENT USE AND SAFETY. BUYER ACKNOWLEDGES THAT THE EQUIPMENT MAY CONTAIN CERTAIN UNAVOIDABLE RISKS, WHICH MAY ARISE DURING USE, OPERATION OR AFTER SALE, AND THAT THE EQUIPMENT MAY BE INHERENTLY DANGEROUS. BUYER ACKNOWLEDGES SUCH RISKS AND DANGERS, AND EXPRESSLY REPRESENTS AND WARRANTS THAT BUYER WILL ASSUME ALL RESPONSIBILITY FOR PERSONAL INJURIES ARISING FROM THE USE, OPERATION AND SALE OF THE EQUIPMENT.

BUYER ACKNOWLEDGES THAT THE EQUIPMENT MAY HAVE NEITHER BEEN DESIGNED NOR MANUFACTURED BY THE SELLER AND THAT THE SELLER DOES NOT KNOW OF BUYERS SPECIFIC APPLICATION.

BUYER REPRESENTS AND WARRANTS THAT IT IS BUYER'S SOLE RESPONSIBILITY TO PROVIDE PROPER SAFETY PRECAUTIONS (for example, but not limited to: EMPLOYEE TRAINING, USER INSTRUCTIONS, WARNINGS, LABELS, SCREENING, SAFETY GUARDS, EMERGENCY STOP SWITCHES AND OTHER SAFETY MECHANISMS AND DEVICES) TO SAFEGUARD BUYER AND OTHERS FROM HARM ARISING FROM THE USE, OPERATION OR SALE OF EQUIPMENT. BUYER REPRESENTS THAT IT WILL CONFORM THE EQUIPMENT TO ANY FEDERAL, STATE OR PROVINCIAL AND INDUSTRY SAFETY STANDARDS AND CONFORM THE EQUIPMENT TO MANUFACTURER'S WARNINGS AND INSTRUCTIONS PRIOR TO USE, OPERATION OR SALE.

**WARRANTY:** THE BUYER'S SOLE AND EXCLUSIVE WARRANTY, IF ANY, IS THAT PROVIDED BY THE PRODUCT'S MANUFACTURER. SELLER MAKES NO EXPRESS OR IMPLIED WARRANTIES. SELLER HEREBY DISCLAIMS ALL EXPRESS OR IMPLIED WARRANTIES, WHETHER IMPLIED BY OPERATION OF LAW OR OTHERWISE, INCLUDING, WITHOUT LIMITATION, ALL IMPLIED WARRANTIES OF MERCHANTABILITY AND FITNESS OR FITNESS FOR A PARTICULAR PURPOSE. UNDER NO CIRCUMSTANCES, AND IN NO EVENT, WILL SELLER BE LIABLE FOR PERSONAL INJURY OR PROPERTY DAMAGE OR ANY OTHER LOSS, DAMAGE, COST OF REPAIRS OR INCIDENTAL, PUNITIVE, SPECIAL, CONSEQUENTIAL, OR LIQUIDATED DAMAGES OF ANY KIND, WHETHER BASED UPON WARRANTY, CONTRACT, STRICT LIABILITY, NEGLIGENCE OR ANY OTHER CAUSE OF ACTION ARISING IN CONNECTION WITH THE DESIGN, MANUFACTURE, SALE, TRANSPORTATION, INSTALLATION, USE OR REPAIR OF THE EQUIPMENT SOLD BY SELLER, and buyer expressly agrees to assume all risks and liability for the use, operation and sale of the equipment, whether used, operated or sold singly or in combination with other equipment goods or products.

The description of the equipment provided in the invoice or quote form is for the sole purpose of identifying the same and does not constitute a representation or warranty that the equipment conforms to such description, condition or specification. BUYER HEREBY ACKNOWLEDGES AND AGREES THAT UNDER NO CIRCUMSTANCES, AND IN NO EVENT, SHALL SELLER'S LIABILITY, IF ANY, EXCEED THE NET SALES PRICE OF THE DEFECTIVE PRODUCT(S); NO ADDITIONAL ALLOWANCE SHALL BE MADE FOR THE LABOR OR EXPENSE OF REPAIRING OR REPLACING DEFECTIVE PRODUCTS OR WORKMANSHIP OR DAMAGE RESULTING FROM THE SAME. EXCEPT AS EXPRESSLY SET FORTH IN THIS PARAGRAPH, ALL USED PRODUCTS, EQUIPMENT AND/OR SERVICES PROVIDED BY SELLER AND ITS EMPLOYEES AND AGENTS ARE PROVIDED "AS IS," "WHERE IS," AND "WITH ALL FAULTS."

IN NO EVENT SHALL SELLER BE LIABLE TO BUYER OR ANY OTHER PERSON FOR INCIDENTAL, SPECIAL OR CONSEQUENTIAL DAMAGES, INCLUDING BUT NOT LIMITED TO, PROPERTY DAMAGE, PERSONAL INJURY, REVENUE LOSS OR LOSS OF PROFITS OR CLAIMS OF CUSTOMERS OR BUYER FOR ANY SUCH LOSS OR DAMAGE, AND, NOT WITHSTANDING THE PROVISIONS OF ANY STATUTE OR LAW, THE TERMS AND CONDITIONS OF THIS CLAUSE SHALL CONSTITUTE THE EXCLUSIVE LIABILITY OF SELLER.

IN THE EVENT OF IMPROPER INSTALLATION, ALTERATION ABUSE, MISUSE, ACCIDENT, FIRE FLOOD OR ACTS OF GOD, ANY WARRANTIES WHICH MAY BE GIVEN BY SELLER TO BUYER ARE HEREBY REVOKED AND CANCELLED. BUYER SHALL HAVE THE RIGHT TO INSPECT THE EQUIPMENT AT THE PLACE OF SHIPMENT PRIOR TO THE TIME OF SHIPMENT AND IS ENCOURAGED BY SELLER TO DO SO.

**TERMS:** Buyer agrees to pay for the equipment according to the Seller's payment terms. In the event Buyer fails to make any payment to Seller when due, Buyer's entire account(s) with Seller shall become immediately due and payable without notice or demand. All past due amounts are subject to service charges at the rate agreed upon by the parties, otherwise at the maximum contract rate permitted by law. Buyer does hereby grant Seller a purchase money security interest in the products until such time as Seller is fully paid. Buyer will assist Seller in taking the necessary action to perfect and protect Seller's security interest. No equipment furnished by the Seller shall become a fixture by reason of being attached to real estate.

**REMEDIES OF SELLER:** Upon default by Buyer, Buyer agrees to reimburse Seller all attorney fees and court costs incurred by Seller in connection therewith. Buyer agrees that any of the following shall constitute an event of default which shall enable Seller, at its option, to cancel any unexecuted portion of this order or to exercise any right or remedy which it may have by law: (a) the failure of Buyer to perform any term or condition contained herein; (b) any failure of Buyer to give required notice; (c) the insolvency of Buyer or its failure to pay debts as they mature, an assignment by Buyer for benefit of its creditors, the appointment of receiver for Buyer or for the materials covered by this order or the filing of any petition to adjudicate Buyer bankrupt; (d) the death, incompetence, dissolution or termination of existence of Buyer; (e) a failure by Buyer to provide adequate assurance of performance within ten (10) days after a justified demand by Seller or (f) if Seller, in good faith, believes that Buyer's prospect of performance under this Agreement is impaired. All rights and remedies of Seller herein are in addition to, and shall not exclude, any rights or remedies that Seller may have by law. In the event it becomes necessary to incur any expense for collection of any overdue account, reasonable collection charges, including reasonable attorneys' fees, will be added to the balance due and Buyer shall pay all such charges.

**GOVERNING LAW:** This transaction shall be governed in all respects by the laws of the Province of Ontario (excluding choice of law provisions). All actions, regardless of form, arising out of or related to this transaction or the products sold hereunder must be brought against Seller within the applicable statutory period, but in no event more than **ONE (1) YEAR** after the date of invoice.

**DELIVERY:** Seller will make a good faith effort to complete delivery of the equipment as indicated by Seller in writing, but Seller assumes no responsibility or liability and will accept no back charge for loss or damage due to delay or inability to deliver, whether or not such loss or damage was made known to Seller, including, but not limited to, liability for Seller's non-performance caused by acts of God, war, labor difficulties, accidents, inability to obtain materials, delays of carriers, contractors or suppliers or any other causes of any kind whatever beyond the control of Seller. Under no circumstances shall Seller be liable for any special, consequential, incidental, indirect, or liquidated damages, losses, or expense (whether or not based on negligence) arising directly or indirectly from delays or failure to give notice of delay.

**REPRESENTATIONS BY SELLER:** Buyer acknowledges that Seller does not make and specifically negates, renounces and disclaims any representations, warranties and/or guaranties of any kind or character, expressed or implied, with respect to (i) the products sold, their use, design, application or operation, their merchantability, their physical condition or their fitness for a particular purpose, (ii) the maintenance or other expenses to be incurred in connection with the products, (iii) the engineering, design, fabrication work or any other work or service (whether gratuitous or for payment) supplied by Seller and/or its agents, suppliers and employees or (iv) the accuracy or reliability of any information, designs or documents furnished to Buyer. Seller neither assumes, nor authorizes any person to assume for it, any other obligation in connection with the sale of its products and/or rendering of its services. Any recommendations made by Seller concerning the use, design, application or operation of the products shall not be construed as representations or warranties, expressed or implied. Failure by Seller to make recommendations or give advice to Buyer shall not impose any liability upon Seller.

**INDEMNIFICATION:** The Buyer shall at its own expense apply for and obtain any permits and inspections required for the installation and/or use of the products. Seller makes no promise or representation that the products or services will conform to any federal (CANADIAN or AMERICAN ) provincial, state or local laws ordinances, regulations, codes or standards, except as particularly specified and agreed upon in writing by an authorized representative of Seller..

Seller shall not be responsible for any losses or damages sustained by the Buyer or any other person as a result of improper installation or misapplication of the equipment. Buyer shall defend, indemnify and hold harmless Seller and its agents and employees against any loss, damage, claim, suit, liability, judgment or expense (including, without limitation, attorney's fees) arising out of or in connection with any injury, disease or death of persons (including, without limitation, Buyer's employees and agents) or damage to or loss of any property or the environment, or violation of any applicable laws or regulations resulting from or in connection with the sale, transportation, installation, use, or repair of the products by Buyer or of the information, designs, services or other work supplied to Buyer, whether caused by the concurrent and/or contributory negligence of Buyer, Seller, or any of their agents, employees or suppliers. The obligations, indemnities and covenants contained in this paragraph shall survive the consummation or termination of this transaction.

**INSPECTION AND ACCEPTANCE:** Claims for damage, shortage or errors in shipping must be reported within one (1) day following delivery to Buyer. Buyer shall have seven (7) days from the date Buyer receives any products to inspect such products and services for defects and nonconformance which are not due to damage, shortage or errors in shipping and notify Seller, in writing, of any defects, nonconformance or rejection of such products. After such seven (7) day period, Buyer shall be deemed to have irrevocably accepted the products, if not previously accepted. After such acceptance, Buyer shall have no right to reject the products for any reason or to revoke acceptance. Buyer hereby agrees that such seven (7) day period is a reasonable amount of time for such inspection and revocation. Buyer shall have no right to order any change or modification to any product or service previously ordered by Buyer or its representatives or cancel any order without Seller's written consent and payment to Seller of all charges, expenses, commissions and reasonable profits owed to or incurred by Seller. Specially fabricated or ordered items may not be canceled or returned, and no refund will be made. The sole and exclusive remedy for merchandise alleged to be defective in workmanship or material will be the replacement of the merchandise subject to the manufacturer's inspection and warranty.

**RETURNS:** Seller at its discretion may allow Buyer to return any product which Seller normally stocks with no restocking charge if: (i) it is in new condition, suitable for resale with all its original parts and (ii) it has not been used, installed, modified, rebuilt, reconditioned, repaired, altered or damaged. Special orders or non-stock items may not be returned without authorization of Seller AND only if the manufacturer will accept the return. Except for items Seller stocks which meet (i) and (ii), above, credit memoranda issued for authorized returns shall be subject to the following deductions: (a) cost of putting items in salable condition; (b) transportation charges, if not prepaid; and (c) handling and restocking charges.

**SHIPMENTS:** All products are shipped F.O.B., point of shipment. Risk of loss shall transfer to the Buyer upon tender of goods to Buyer, Buyer's representative, or common carrier. The cost of any special packing or special handling caused by Buyer's requirements or requests shall be added to the amount of the order. If Buyer causes or requests a shipment delay, or if Seller ships or delivers the products erroneously as a result of inaccurate, incomplete or misleading information supplied by Buyer or its agents or employees, storage and all other additional costs and risks shall be borne solely by Buyer. Claims for products damaged or lost in transit should be made by Buyer to the carrier, as Seller's responsibility ceases upon tender of goods to Buyer, Buyer's representative or common carrier.

**TAXES & PRICES:** All prices listed and quoted by the Seller are exclusive of any federal, state, provincial or municipal sales, use or other similar taxes which Seller may be required to collect or pay upon such sale or delivery of its materials to Buyer and Buyer shall be responsible for payment of such taxes, unless otherwise stated on the quote form.

The amount of any sales, excise or other taxes, if any, applicable to the products shall be added to the purchase price and shall be paid by Buyer unless Buyer provides Seller with an exemption certificate acceptable to the taxing authorities. Any taxes which Seller may be required to pay or collect under any existing or future law, upon or with respect to the sale, purchase, delivery, storage, processing, use or consumption of any of the products, including taxes upon or measured by the receipts from the sale thereof, shall be for the account of the Buyer, who shall promptly pay the amount thereof to Seller upon demand.

**SEVERABILITY:** These terms and conditions of sale shall not be construed against the party preparing them, but shall be construed as if all parties jointly prepared these terms and conditions of sale and any uncertainty or ambiguity shall not be interpreted against any one party. If any provision hereof is held to be illegal, invalid or unenforceable under any present or future laws, such provision shall be fully severable and the terms and conditions herein shall be construed and enforced as if such illegal, invalid or unenforceable provision had never been made a part hereof. The remaining provisions herein shall remain in full force and effect and shall not be affected by such illegal, invalid or unenforceable provisions or by their severance here from.

**SET-OFF:** Buyer shall not be entitled to set-off any amounts due Buyer against any amount due Seller in connection with this transaction.

**NON-WAIVER:** Seller's failure to insist upon the strict performance of any term or condition herein shall not be deemed a waiver of any of Seller's rights or remedies hereunder, nor of its right to insist upon the strict performance of the same or any other term herein in the future. No waiver of any term or condition hereunder shall be valid unless in writing and signed by Seller's Branch Manager.

**ENTIRE AGREEMENT:** This document constitutes the entire, complete, and exclusive agreement between the parties with respect to the subject matter hereof and contains all the agreements and conditions of sale; no course of dealing or usage of the trade shall be applicable unless expressly incorporated herein. The terms and conditions contained herein may not be added to, modified, superseded or otherwise altered except by a written modification signed by the Seller's Branch Manager. All transactions shall be governed solely by the terms and conditions contained herein.



Menotie 3  
FI-33470 Ylöjärvi, Finland  
tel: +358 3 3488 200  
info@dynaset.com



#### ELECTRICITY

HG Hydraulic Generator  
HGV POWER BOX Variable Hydraulic Generator System  
HGV Variable Hydraulic Generator System  
HWG Hydraulic Welding Generator  
HGG Hydraulic Ground Power Generator



#### HIGH PRESSURE WATER

HPW Hydraulic High Pressure Water Pump  
HPW Hydraulic Power Washer  
KPL High Pressure Street Washing Unit  
HPW-DUST High Pressure Dust Suppression System  
PPL High Pressure Pipe Cleaning Unit  
HPW-FIRE High Pressure Firefighting System  
FP Fire Fighting Piercing Kit  
HDF Hydraulic Drilling Fluid Pump  
JPL High Pressure Bin Washing System  
HSP Hydraulic Submersible Pump



#### COMPRESSED AIR

HK Hydraulic Piston Compressor  
HKL Hydraulic Rotary Vane Compressor  
HKR Hydraulic Screw Compressor



#### MAGNET POWER

HMG PRO Hydraulic Magnet Generator  
MAG Lift Magnet  
HMAG PRO Hydraulic Magnet



#### VIBRATION

HVB Hydraulic Vibra  
HVD Hydraulic Directional Vibra  
HRC Hydraulic Reversal Cylinder



#### POWER BOOSTING

HPI Hydraulic Pressure Intensifier  
HPI-C Hydraulic Pressure Intensifier for Cylinder



#### KNOW-HOW

Hydraulic Power Take-off (PTO)  
Hydraulic Power Unit Technology  
De-Icing Technology  
Installation Valves  
HHK Hydraulic Grinder  
HV/HVY Hydraulic Winch / Winch Unit

Gensco Equipment | 1-800-268-6797 | [www.genscoequip.com](http://www.genscoequip.com) | [info@genscoequip.com](mailto:info@genscoequip.com)

