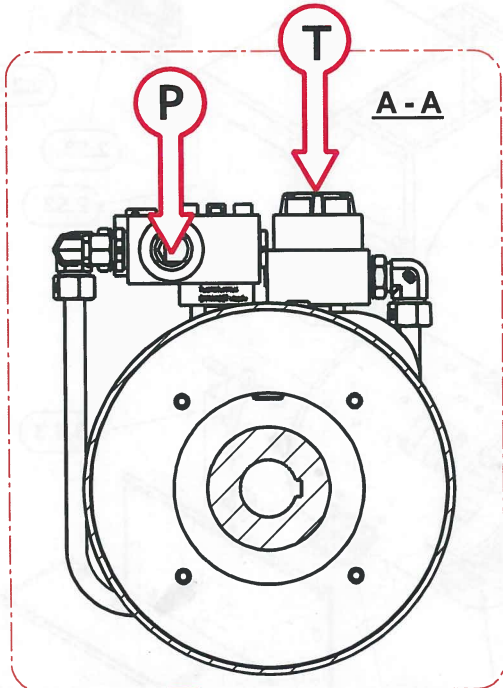
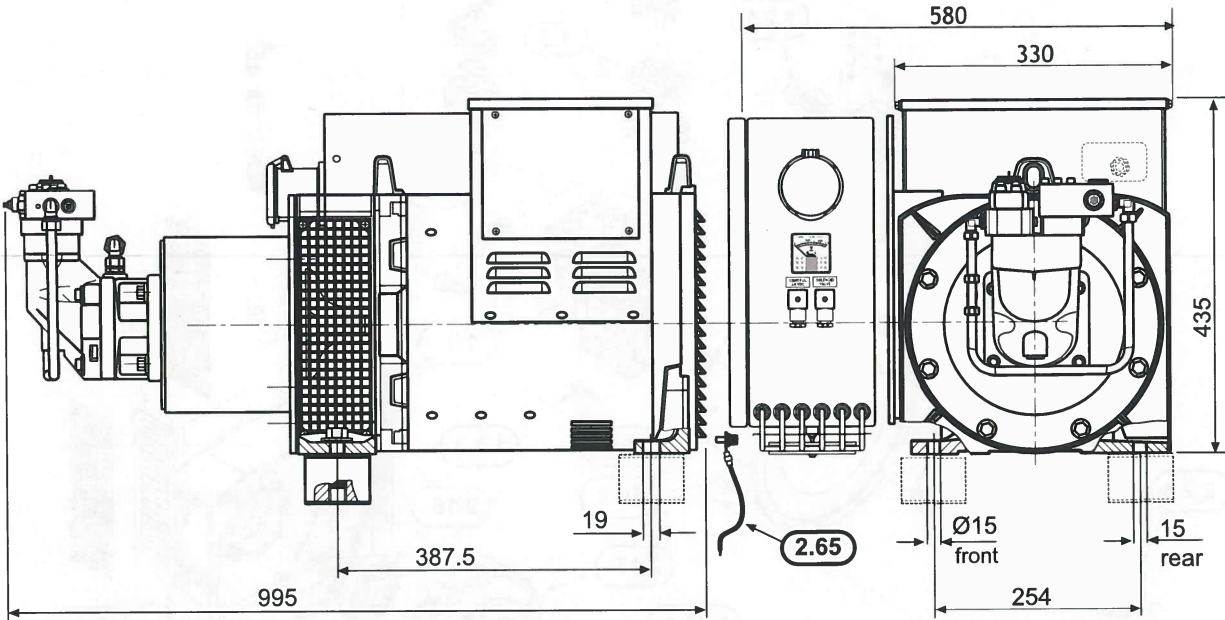
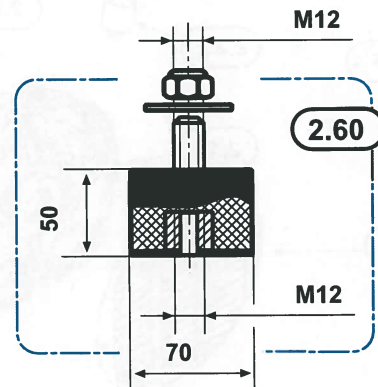


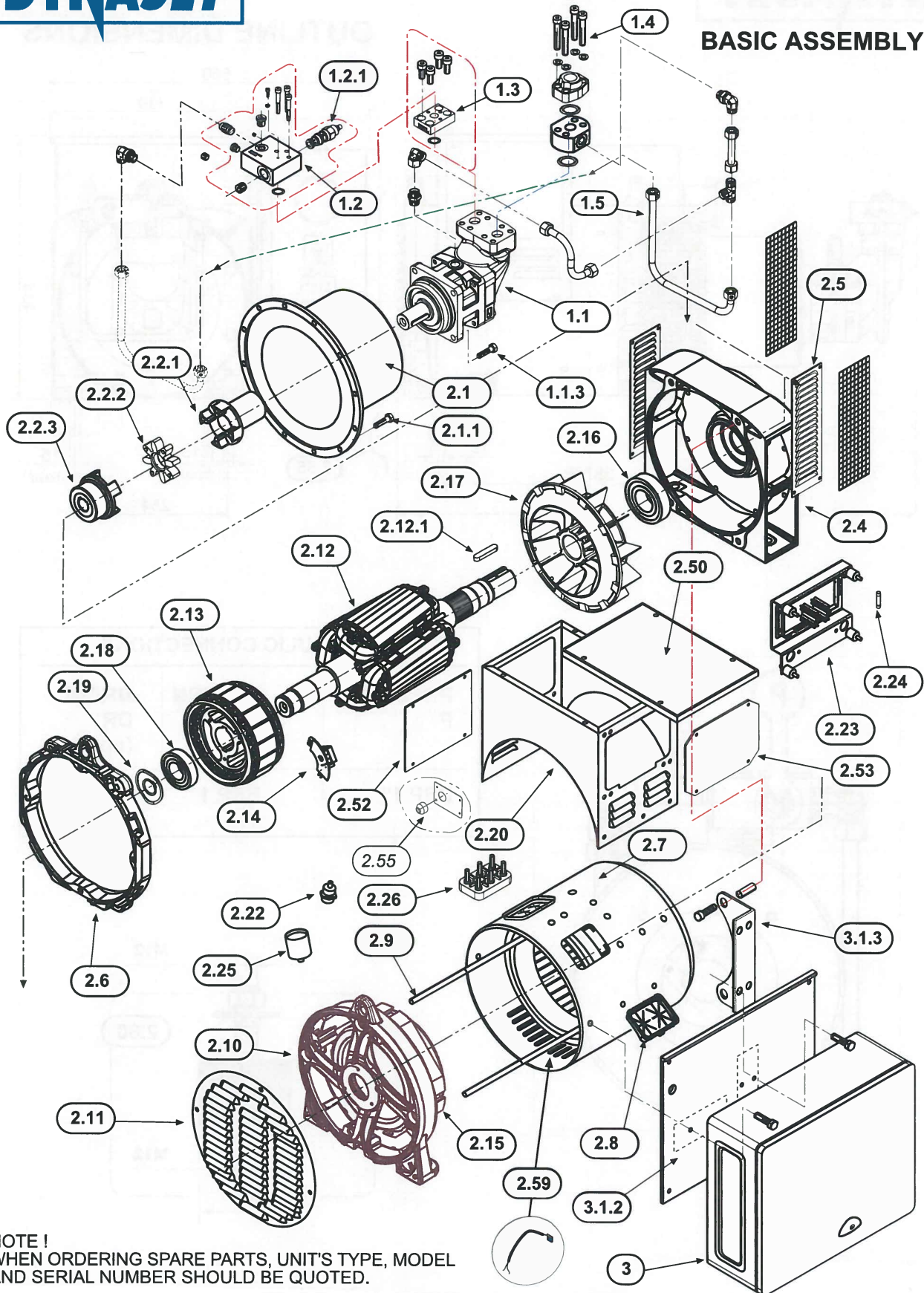
OUTLINE DIMENSIONS



HYDRAULIC CONNECTIONS		
PRESSURE P	RETURN T	DRAIN DR (option)
BSP 1"	BSP 1 "	M22x1,5



BASIC ASSEMBLY



NOTE !
 WHEN ORDERING SPARE PARTS, UNIT'S TYPE, MODEL
 AND SERIAL NUMBER SHOULD BE QUOTED.

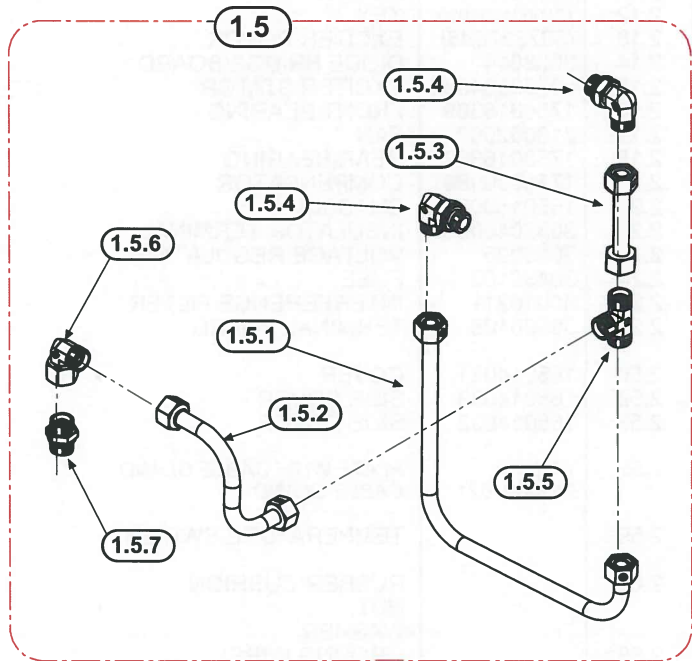
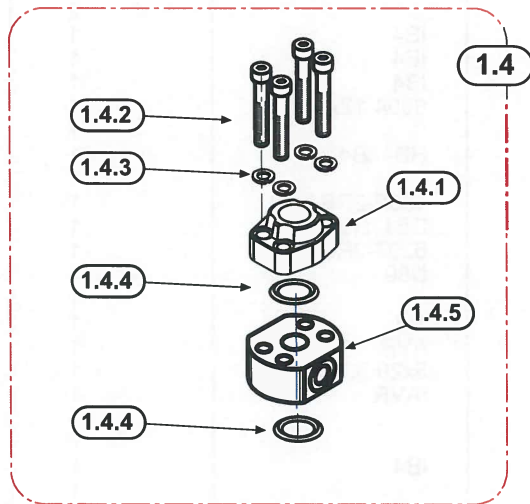
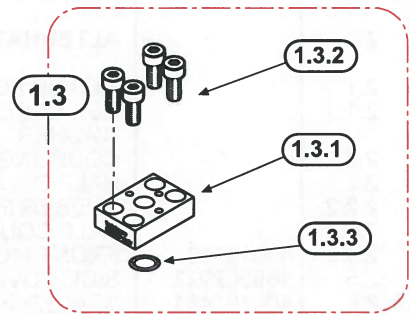
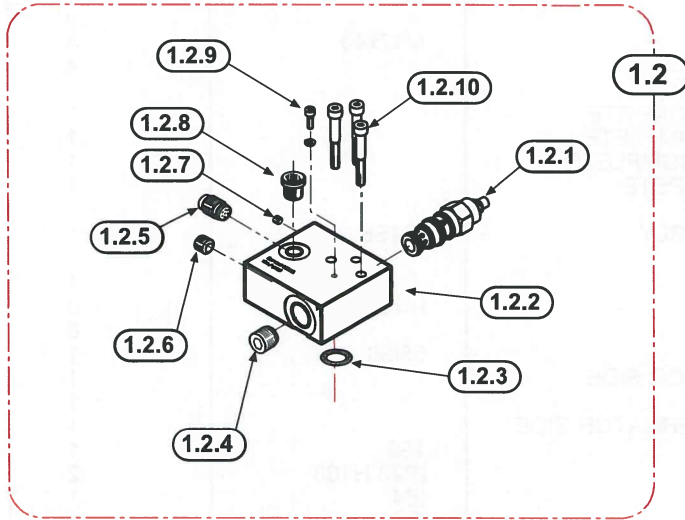


DYNASET hydraulic magnet generator HMG30 kW 220 VDC-120

POS	STOCK NUMBER	DESIGNATION	DETAILS	QUANTITY
1		HYDRAULIC MOTOR ASSEMBLY		
1.1	11002960	HYDRAULIC MOTOR	80	1
1.1.3		HEX SCREW WASHER	M12x40	4 4
1.2		RPM-VALVE BLOCK, COMPLETE		1
1.3		ADAPTER FLANGE, COMPLETE		1
1.4		RETURN LINE PORT, COMPLETE		1
1.5		PIPE ASSEMBLY, COMPLETE		1
2		ALTERNATOR ASSEMBLY	IB4SB	
2.1		MOTOR FLANGE		1
2.1.1		HEX SCREW WASHER	M10x30	8 8
2.2		COUPLING	55/90	1
2.2.1		HALF COUPLING, MOTOR SIDE		1
2.2.2		RUBBER ELEMENT		1
2.2.3		HALF COUPLING, ALTERNATOR SIDE		1
2.4	40610113-	FRONT MOUNT	160	1
2.5	165002023	SIDE COVER	IP23 H160	2
2.6	406101461	SPACER FLANGE	IB4	1
2.7	R575433--	STATOR ASSEMBLY	IB4	1
2.8	266060001	GLAND COLLAR		2
2.9	17604---	TIE ROD		2
2.10	310600	REAR MOUNT	IB4	1
2.11	165012016	AIR DIFFUSER	IB4	1
2.12	535434---	ROTOR	IB4	1
2.12.1	1760001008030	KEY	6604 12x8x30	1
2.13	(507337045)	EXCITER ROTOR		1
2.14	3008014	DIODE BRIDGE BOARD	HB4/IB4	1
2.15	59733004530	EXCITER STATOR		1
2.16	1750016309	FRONT BEARING	6309-2RS1 C3	1
2.17	216002009	FAN	D54 H160	1
2.18	1750016307	REAR BEARING	6307-2RS1 C3	1
2.19	1770030980	COMPENSATOR	D80	1
2.20	165015007	CHASSIS		1
2.22	3057040008	INSULATOR TERMINAL	M8	1
2.23	3008025	VOLTAGE REGULATOR	AVR	1
2.24	30430103	FUSE	5x20 3.15A FF	1
2.25	30010211	INTERFERENCE FILTER	/AVR	1
2.26	30600108	TERMINAL BOARD		1
2.50	165014031	COVER	IB4	1
2.52	165014033	SIDE COVER		1
2.53	165014032	SIDE COVER	/AVR	1
2.55	79180 2690001021	PLATE WITH CABLE GLAND CABLE GLAND	DG21	1 1
2.59		TEMPERATURE SWITCH	125 °C	1
2.60		RUBBER CUSHION NUT WASHER	70/50 M12 M12	4 4 4
2.651		GROUNG WIRE	MAX. 30 CM	1
3.		CONTROL UNIT	30 kW	1

PART LIST

HYDRAULIC SUBASSEMBLIES





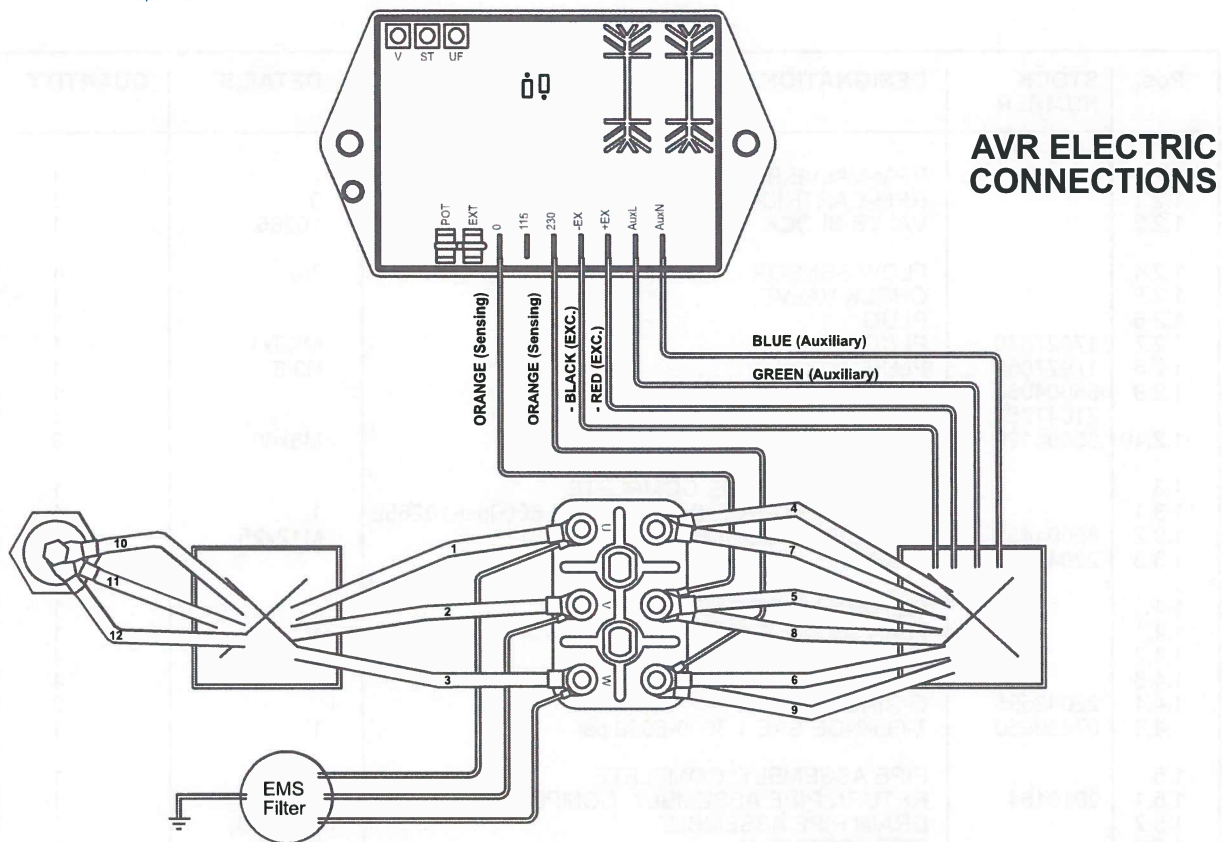
DYNASET hydraulic magnet generator HMG30 kW 220 VDC-120

Pos.	STOCK NUMBER	DESIGNATION	DETAILS	QUANTITY
1.2		RPM-VALVE BLOCK, COMPLETE		1
1.2.1		RPM-CARTRIDGE	0	1
1.2.2		VALVE BLOCK	10265	1
1.2.4		FLOW SENSOR	7.8	1
1.2.5		CHECK VALVE		1
1.2.6		PLUG		1
1.2.7	17027870	PLUG	MK8x1	1
1.2.8	17927050	PLUG	R3/8	1
1.2.9	85004063	CAPSCREW, SOCKET HEAD		1
	21047759	SEAL		1
1.2.10	85004129	CAPSCREW, SOCKET HEAD	M8x60	3
1.3		ADAPTER FLANGE, COMPLETE		1
1.3.1		ADAPTER FLANGE BLOCK SAE 1 6000psi-10265L	1"	1
1.3.2	85004152	CAPSCREW, SOCKET HEAD	M12x25	4
1.3.3	22041090	O-RING		1
1.4		RETURN LINE PORT, COMPLETE		1
1.4.1		FLANGE SAE 1 6000 psi - R1	1"	1
1.4.2		CAPSCREW, SOCKET HEAD	M12x75	4
1.4.3		WASHER		4
1.4.4	22043595	O-RING		2
1.4.5	07030650	T-FLANGE SAE 1 3000-6000 psi	1"	1
1.5		PIPE ASSEMBLY, COMPLETE		1
1.5.1	9010164	RETURN PIPE ASSEMBLY, COMPLETE	U15(80)	1
1.5.2		DRAIN PIPE ASSEMBLY	LL15(80)	1
1.5.3		PIPE ASSEMBLY	I15(80)	1
1.5.4	17020278	SWIVEL ELBOW FITTING	15L-R12	2
1.5.5	17020900	T-FITTING	15L	1
1.5.6	17021200	SWIVEL ELBOW FITTING	15L	1
1.5.7	17019230	MALE STUD CONNECTOR	15L 22,5x1,5	1



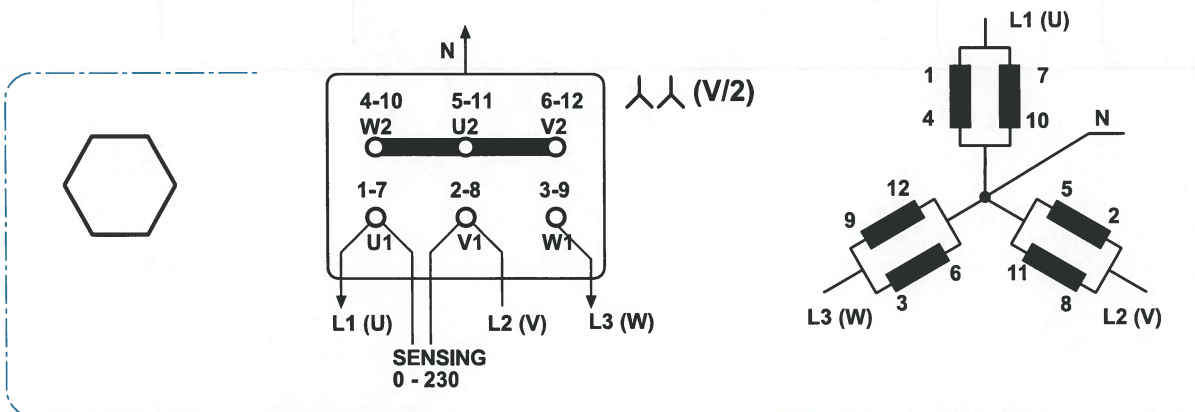
DYNASET hydraulic magnet generator HMG30 kW 220 VDC-120

WIRING DIAGRAM



AVR ELECTRIC CONNECTIONS

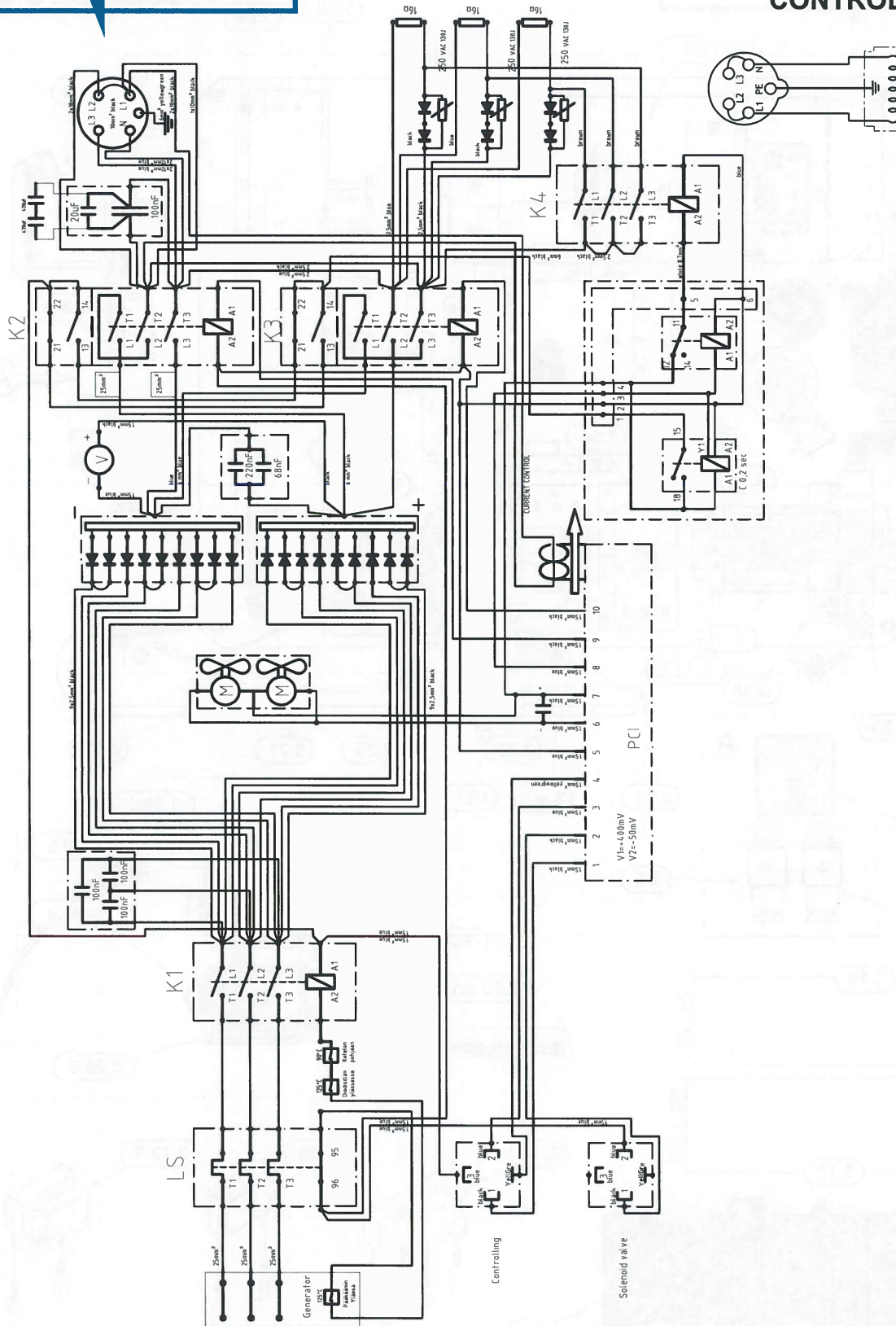
RESISTANCE CHARACTERISTICS					EXCITATION CHARACTERISTICS			
STATOR	AUXILIARY	ROTOR	EXCITER STATOR	EXCITER ROTOR	U0 exc.	I0 exc.	U exc.	I exc.
$\Omega(\text{ohm})$					V	A	V	A
0,21	3,77	23,50	12,50	3,30	10,0	0,7	32,0	2,4





DYNASET hydraulic magnet generator HMG30 kW 220 VDC-120

CONTROL UNIT





CONTROL UNIT

No	PART NUMBER	DESIGNATION	DETAILS	QUANTITY
3		CONTROL UNIT	30 kW kW	1
3.1		UNIT ENCLOSURE, COMPLETE with cover, gasket and access hatch	HMG 30	1
3.1.1		COMPONENT CHASSIS, COMPLETE		1
3.1.2		BRACKET	HMG 30	1
3.1.3	9010266	HOLDER, FORE FASTENERS	HMG15-20	1 1 kit
3.2		SOCKET 63A	3P+N+E	1
3.3	44051720	VOLTMETER	300 VDC	1
3.4	48059610	CONTROL VOLTAGE CONNECTOR	Hirschmann	1
3.5	48059610	SOLENOID VALVE CONNECTOR	Hirschmann	1
3.6		CABLE GROMMET		1
3.8		THERMAL OVERLOAD RELAY		1
3.9		CONTACTOR	K1 (DIL M80)	1
3.10		CAPACITOR UNIT	100 nF x 3	1
3.11	44051460	CONTACTOR	K2 (DIL 4AM145)	1
3.11.1	44051490	AUXILIARY CONTACTS	DIL NO/NC 10A	2
3.12		CAPACITOR UNIT	100 nF + 20 nF	1
3.13	44051380	CONTACTOR	K3 (DIL M32)	1
3.13.1	44051490	AUXILIARY CONTACTS	DIL NO/NC 10A	1
3.14		CONTACTOR	K4	1
3.15	9010318	PCI-CONTROL CARD INSTALLATION KIT		1 1
3.16	46058020	CAPACITOR	10000 uF 40 V	1
3.17	46057680	CAPACITOR	20 uF 450 V	1
3.18		CAPACITOR	100 nF	1
3.19		CAPACITOR	470 uF	2
3.20		RECTIFIER UNIT		
3.20.1		CHASSIS PLATE	PE	1
3.20.2		RECTIFIER / COOLER BAR	AL	2
3.20.3	46056510	DIODE -70A UNF ¼	70 HFR 120	12
3.20.4	46056480	DIODE +70A UNF ¼	70 HF 120	12
3.20.5		CAPACITOR UNIT	220 nF + 68 nF	1
3.20.6	460584340	FAN FASTENERS	24 VDC	2 1 kit
3.21	46056600	DIODE + 85A UNF ¼	85 HF 120	3
3.22		DIODE + 70A UNF ¼	70 HF 120	3
3.23		DIODE PROTECTION VARISTOR	300 VAC (46056610)	3
3.25	44051620	TEMPERATURE SWITCH	90 °C	1
3.26	44051650	TEMPERATURE SWITCH	125 °C	1
3.30		HMG-RESISTOR R16	16 Ohm	3
3.31		RESISTOR HOLDER	HMG 30	1 kit
3.32		HEAT REFLECTIVE SHIELD	HMG 30	1
3.32		HR-SHIELD HOLDER		1 kit
3.35		TIMING RELAY		1
3.36		RELAY		1
3.37		BLOCK CONNECTOR		1
3.38		HOLDER BAR		1
		FASTENERS		1 kit
3.XX		WIRING KIT	NOT AVAILABLE	1 kit
4		PLUG	3P+N+E	1

