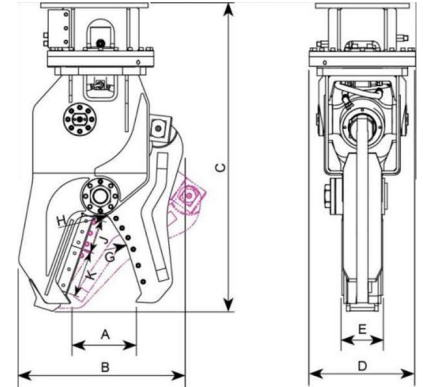


SH SERIES MINI SCRAP AND DEMOLITION SHEARS

Mini demolition and scrap shear for processing metal at recycling facilities, demolition sites, etc. Specifically designed for cutting various types of pipe, extrusion, heavy gauge cable, cutting steel in concrete, and more....

- Lightweight design suitable for skid loaders, compact or mini excavators
- Trunnion mounted cylinder for compact design
- Simple gap adjustment system for maintenance in the field
- High strength and wear resistance materials (Hardox) for durability
- Also available: mini concrete crushers and grapples



Description		units	SH020R-S	SH030R-S	SH040R-S	SH050H-S	SH050H-SD	
Weight		lb	419	639	882	1,102	1,102	
Max Opening Width	A	in	8.1	9.1	10.6	11.4	11.4	
Overall Width	B	in	18.8	22.2	28.0	28.3	28.3	
Overall Length	C	in	37.4	44.4	48.9	53.4	53.4	
Overall Height	D	in	11.4	13.8	15.9	18.3	18.3	
Body Width	E	in	5.2	5.7	5.7	7.1	7.1	
Crushing Force	F	US ton	-	-	-	-	37 (@ 3,500psi)	
Cutting Force	G	US ton (@ 3,000psi)	34	48	61	78	57	
	H	US ton (@ 3,000psi)	67	119	79	188	88	
	I	US ton	-	-	182 (@ 3,000psi)	-	188 (@ 3,500psi)	
Cutter Length	J	in	3.9	4.9	4.9	5.9	9.7	
	K	in	3.9	5.9	-	7.9	-	
Allowable Max. System Pressure		psi	4,000	4,000	4,000	4,300	4,300	
Swing Motor Setting Pressure		psi	-	-	-	-	1,100	
Recommended Oil Flow	Cylinder	gpm	5.3 ~ 11.9	7.9 ~ 19.8	7.9 ~ 23.8	13.2 ~ 23.8	13.2 ~ 23.8	
	S / Motor	gpm	-	-	-	-	2.6 ~ 4.0	
Rotating		-	Free				Hydraulic	
Recommended Carrier Weight		lb	3,300 ~ 6,600	5,500 ~ 11,000	7,700 ~ 17,600	9,900 ~ 17,600	9,900 ~ 17,600	

* Above specifications are subject to change without prior notice.



Since 1919



GENSCO AMERICA, INC

5307 Dividend Dr., Decatur, Georgia 30035 • Tel: 770 808-8711 • Fax: 770 808-8739

GENSCO EQUIPMENT (1990) Inc

53 Carlaw Ave., Toronto, Canada M4M 2R6 • Tel: 416 465-7521 • Fax: 416 465-4489

email: info@genscoequip.com • www.genscoequip.com



ACROSS USA 800 268-6797