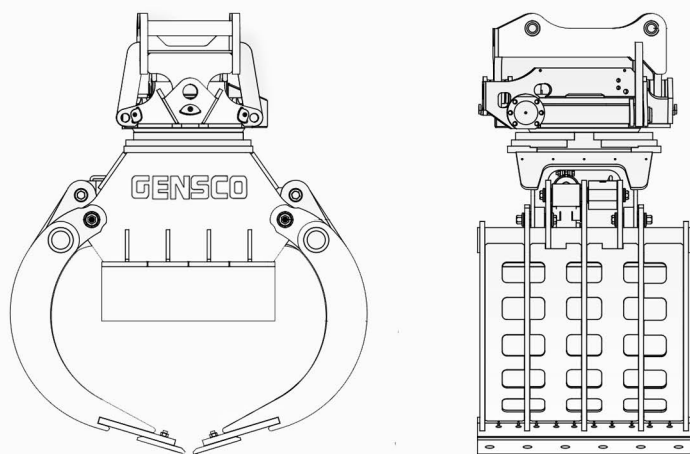
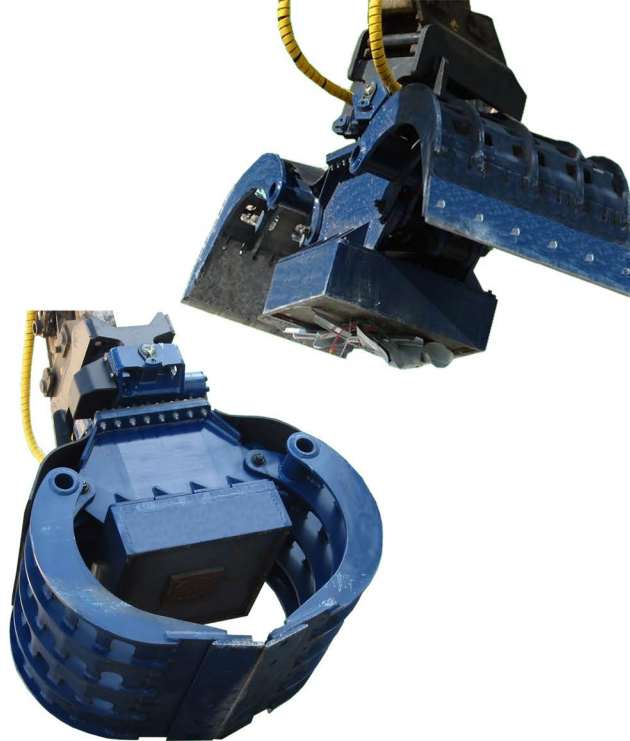


RSM MAGNET GRAPPLE

The RSM magnet grab is the perfect combination grapple for your scrap and demolition needs. Featuring a 220V or 24 V DC magnet and grab, with or without hydraulic rotation and flex coupler.



MODEL	RSM350	RSM1300
CAPACITY (yrd ³)	0.46	1.7
WEIGHT (lbs)	2295	5630
CYLINDER PRESSURE (psi)	4350	4350
CYLINDER OIL FLOW (gpm)	13-15	32
ROTATION (psi)	3626	3626
ROTATION (gpm)	8	8
TINE FORCE (ton)	3	5.6
MAGNET SIZE	16 x 24 x 8.25"	28 x 40 x 10"
MAGNET POWER	24 or 230 V DC	24 or 230 V DC
EXCAVATOR OPERATING WEIGHT	18-24	34-40 tons

*photos and specifications subject to change without notice



Since 1919



GENSCO AMERICA, INC

5307 Dividend Dr., Decatur, Georgia 30035 • Tel: 770 808-8711 • Fax: 770 808-8739

GENSCO EQUIPMENT (1990) Inc

53 Carlaw Ave., Toronto, Canada M4M 2R6 • Tel: 416 465-7521 • Fax: 416 465-4489

email: info@genscoequip.com • www.genscoequip.com



ACROSS USA 800 268-6797