



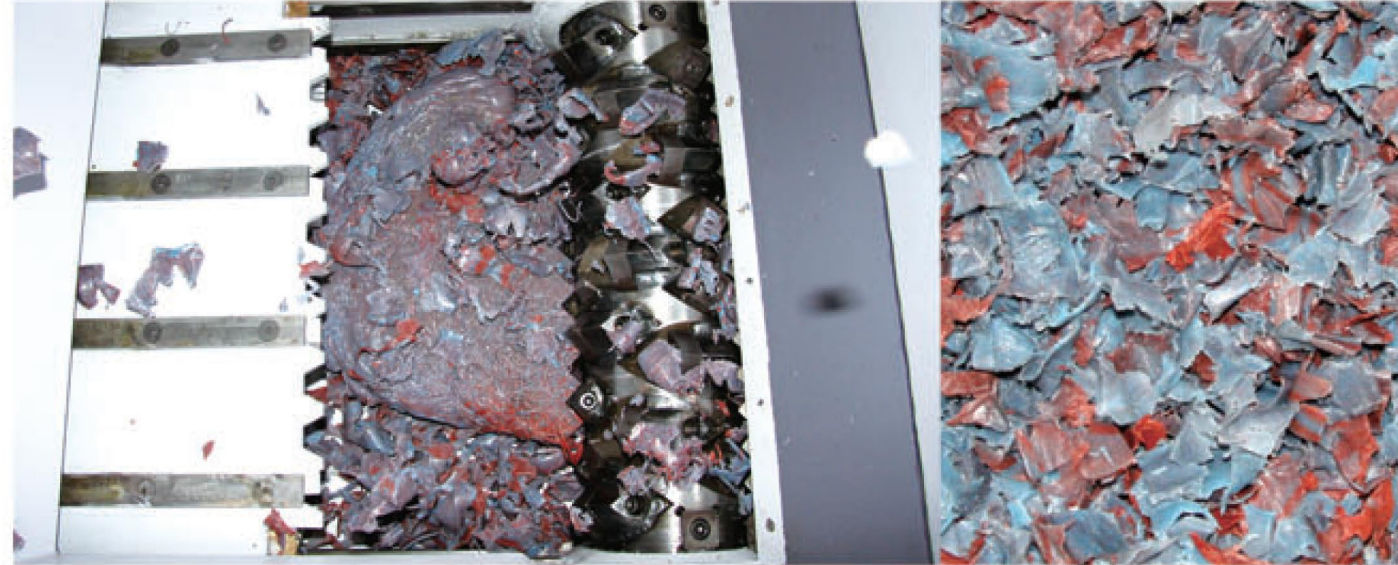
VISION



VISION SERIES

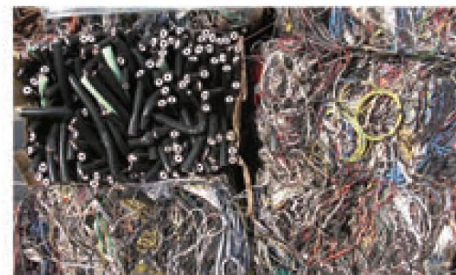
Single shaft shredding system

VISION Series Single Shaft Shredders are small to medium size reduction machines suitable for processing a wide range of materials to a uniform particle size. The products can often be sold as is, or be sent for further processing through additional equipment. Throughputs typically range between 300kg/hr – 5,000kg/hr+ depending on the model, material type and application.



Typical Applications Include

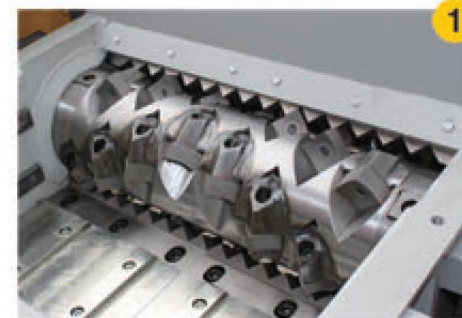
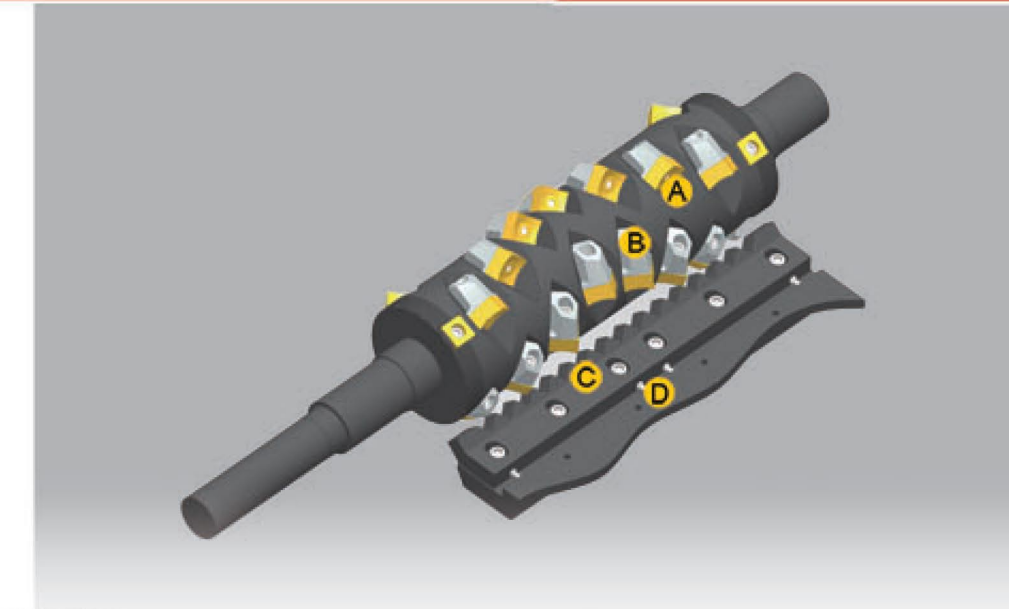
- Plastics – Mouldings, Purgings/Lump, Profiles, Films etc.
- Timber/Wood – Pallets, Joiners Waste, Green Waste etc.
- Paper & Cardboard – Confidential Documents, Production Waste, Packaging Materials etc.
- Copper Cable – Household, Telecoms and Industrial Cables including S.W.A
- Aluminum – Used Beverage Cans (UBC's), Swarf, Cables etc.
- Textiles – Carpet (Rolls & Tiles), Garments etc.
- Security Destruction – Counterfeit Items, Faulty Goods, Out of Date Stock etc.
- Foam – Production Waste etc.



The ram pusher (3) driven by the hydraulic power pack (5) pushes the input material against the rotor (1) driven by the power unit (4) including motor, pulleys, belts and gearbox.

The rotor is equipped with rotor knives (A) screwed to the knife supports (B) shred the material with an action against the counter knives (C). The clearance between rotor knives and counter knives can be maintained by adjusting the support screws (D) of the counter knives.

The shredded fractions drop through the screen (2), the desired size of the fractions is determined by the size of the screen holes.



1

Rotor

- Chevron Rotor Design
- Rotor Knives manufactured from special heat treated DC53 steel – Can be rotated and used on four edges before replacement.
- Long Life Fixed Blades – Can be adjusted to maintain cutter clearance.
- Wear Resistant Coating – Optional for applications for abrasive material shredding e.g fiber glass..



2

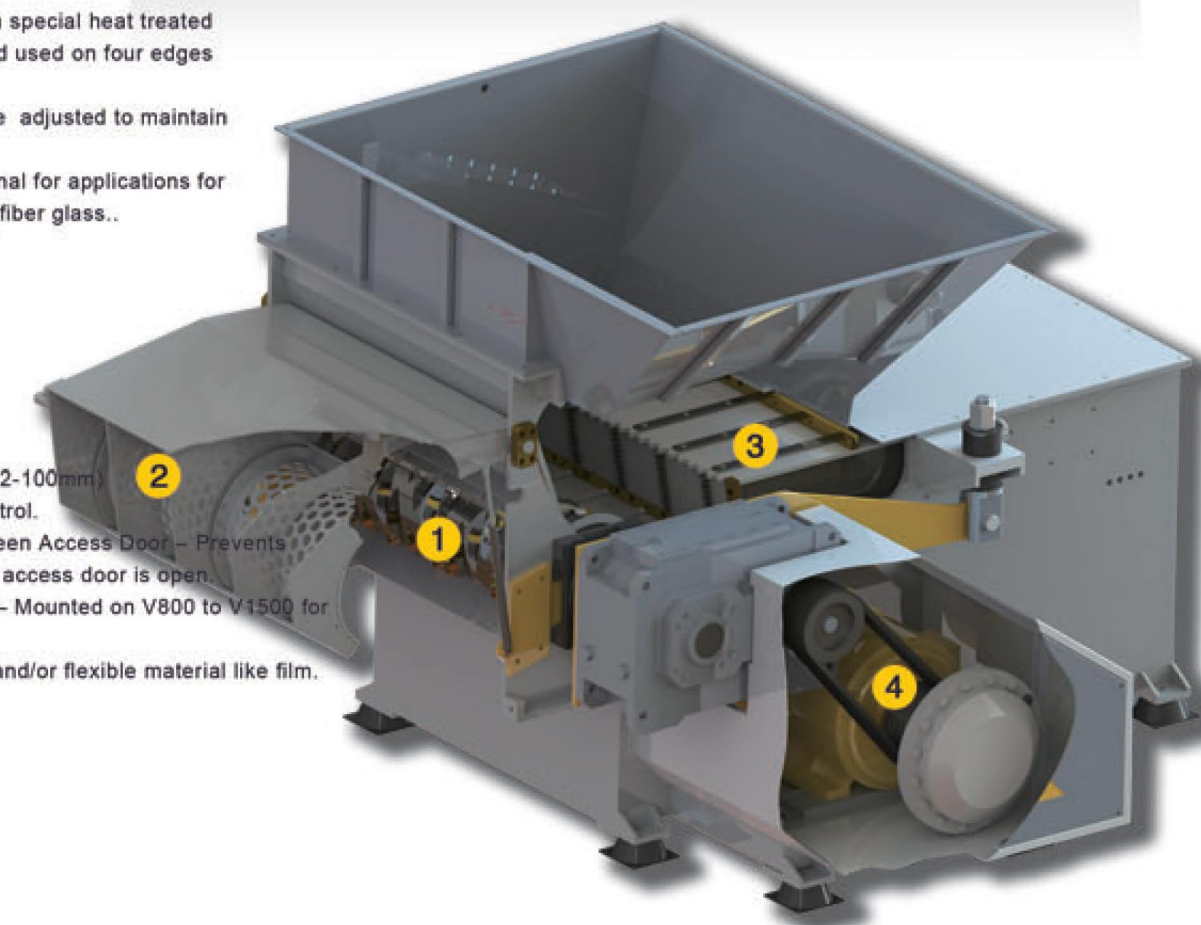
Screen basket

- Quick Change Screens (Sized 12-100mm) – For accurate particle size control.
- Safety Limit Switch fitted to Screen Access Door – Prevents machine from running when the access door is open.
- Cylinders Access Door Opener – Mounted on V800 to V1500 for easy open and access.
- Star Screen Optional – for thin and/or flexible material like film.



Bearing

- Oversized, High Quality Spherical Shaft Bearings – Isolated from the cutting chamber to prevent product migration through the grease seals.
- Bearing housing integral machined – warrant the long life use of the bearings.
- Rotor Water Cooling – Optional water cooling through bearing housing to the rotor.



Sectional drawing & function



3

Ram

- Segmented Shredding Chamber Floor with Brass Guides.
- Machined One-Piece Segmented floor
- Advanced Adjustable Sealing System for the Pusher Unit
- Fines Discharge Chute – to collect the fines during shredding to protect the hydraulic power pack.



4

Driving system

- Electric Drive Motors – Configured for Star/Delta Starting, Fluid Coupling mounted on V1200 and V1500.
- Heavy Duty, Reduction Gearbox – Mounted Directly on the rotor shaft
- Shock Absorbing Gearbox Mounting Arrangement – Reduces Stress on Drive Components



Hydraulic system

- Twin Speed Hydraulics – fast speed for backward to maximize the shredding throughput.
- Integrated oil/air cooler – maintain the temperature for continuous operation.
- Cover Insulator Optional – for applications e.g wood shredding to avoid explosion.

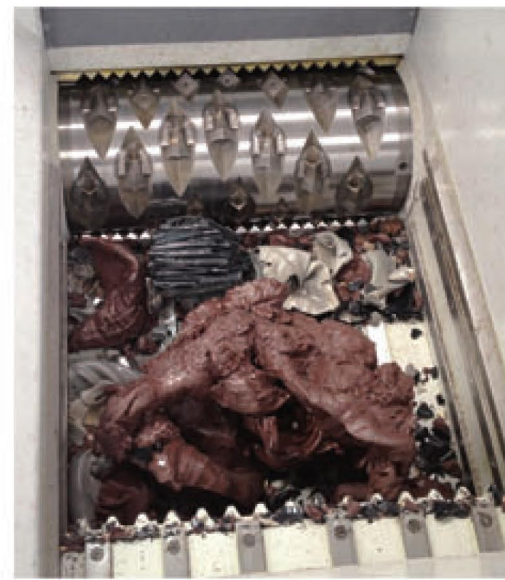


Control panel

- Stand Alone Electrical Control Panel – Siemens PLC Control System, Schneider Electrical Components
- Manual & Automatic Controls for Rotor Direction and Hydraulic Force Feeding Device
- "Intelligent Program" – motor auto reverse for overload, stop when machine idles.



Vision 600 wet shredder



Vision 800 purging shredder



Vision 1200 hard faced rotor



Machined rotor knife supports



Machined rotor knife supports



Vision 800 cable shredder



Vision 600 foam shredder



Model	V500	V600	V800
Dimension L/W/H(mm)	1780 X 1192 X 1686	1780 X 1292 X 1686	2665 X 1760 X 2087
Hopper inlet (mm)	790 X 500	790 X 600	1300 X 800
Discharge height (mm)	447	447	565
Ram (mm)	500	500	815
Rotation diameter (mm)	Ø220		Ø400
Rotor operation length (mm)	500	600	800
Rotation speed (rpm)	80	80	80
Screen (mm)	Ø 40	Ø 40	Ø 40
Rotor knives (PCS)	19	23	35
Counter knives (PCS)	4	4	4
Drive power (Kw)	15	18.5	37
Hydraulic power (Kw)	1.5	1.5	2.2
Hopper volume (L)	660	760	1500
Weight (Kg)	Approx 1500	Approx 1650	Approx 3650

Model	V1000	V1200	V1500
Dimension L/W/H(mm)	2665 X 1960 X 2087	2665 X 2500 X 2087	2665 X 2805 X 2137
Hopper inlet (mm)	1300 X 1000	1300 X 1200	1300 X 1500
Discharge height (mm)	565	565	615
Ram (mm)	815	815	815
Rotation diameter (mm)	Ø400		
Rotor operation length (mm)	1000	1200	1500
Rotation speed (rpm)	80	80	80
Screen (mm)	Ø 40	Ø 40	Ø 40
Rotor knives (PCS)	45	55	70
Counter knives (PCS)	4	6	6
Drive power (Kw)	45	55	75
Hydraulic power (Kw)	2.2	5.5	5.5
Hopper volume (L)	1760	2030	2430
Weight (Kg)	Approx 4250	Approx 5050	Approx 6300

Subject to technical changes without notice

Since 1919

GENSCO

GENSCO AMERICA, INC

5307 Dividend Dr., Decatur, Georgia 30035 • Tel: 770 808-8711 • Fax: 770 808-8739

GENSCO EQUIPMENT (1990) Inc

53 Carlaw Ave., Toronto, Canada M4M 2R6 • Tel: 416 465-7521 • Fax: 416 465-4489

email: info@genscoequip.com • www.genscoequip.com



ACROSS USA 800 268-6797