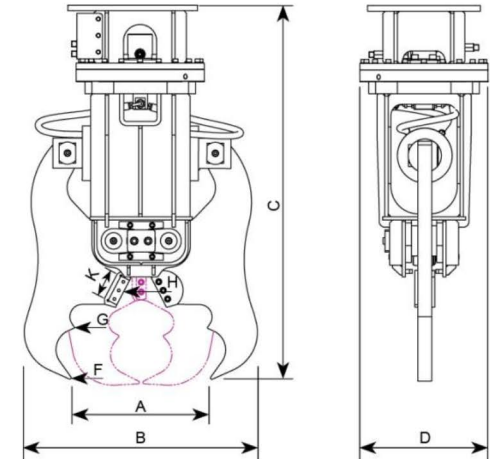


Mini Crusher (1-cylinder)



- Lightweight design for stability of operating machine
- One cylinder system for powerful crushing and speed
- High strength and wear resistance materials (Hardox) for reliability
- Full line-up for mini excavators

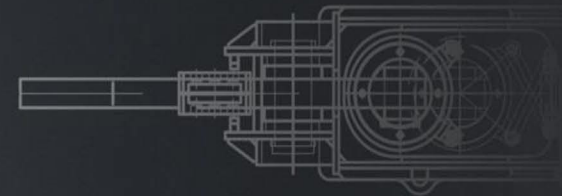
Description		units	CR010R	CR020R	CR030R-S	CR050H-S
Weight		lb	231	397	794	1,058
Max Opening Width	A	in	11.0	14.2	16.9	20.5
Overall Width	B	in	22.4	27.1	30.2	33.5
Overall Length	C	in	32.3	38.3	48.4	53.6
Overall Height	D	in	10.2	11.4	13.8	18.3
Crushing Force	F	US ton	21 (@ 3,000psi)	23 (@ 3,000psi)	29 (@ 3,000psi)	35 (@ 3,500psi)
	G	US ton	33 (@ 3,000psi)	65 (@ 3,000psi)	41 (@ 3,000psi)	54 (@ 3,500psi)
Cutting Force	H	US ton	56 (@ 3,000psi)	65 (@ 3,000psi)	88 (@ 3,000psi)	112 (@ 3,500psi)
Cutter Length	K	in	3.0	3.9	3.9	3.9
Allowable Max. System Pressure		psi	4,000	4,000	4,000	4,300
Swing Motor Setting Pressure		psi	-	-	-	1,100
Recommended Oil Flow	Cylinder	gpm	4.0 ~ 9.2	5.3 ~ 11.9	7.9 ~ 19.8	13.2 ~ 23.8
	S / Motor	gpm	-	-	-	2.6 ~ 4.0
Rotating		-	Free			Hydraulic
Recommended Carrier Weight		lb	1,500 ~ 4,400	3,300 ~ 6,600	5,500 ~ 11,000	9,900 ~ 17,600



* Above specifications are subject to change without prior notice.

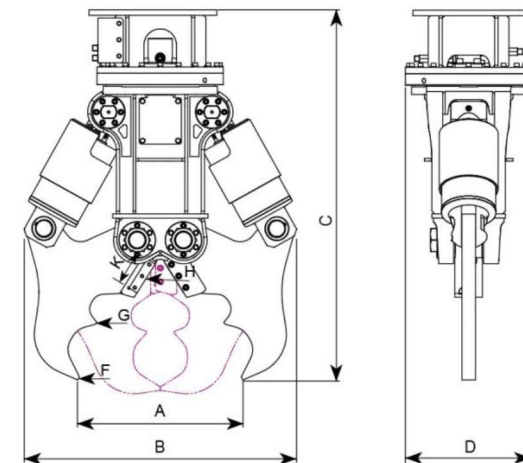


Mini Crusher (2-cylinder)



- Lightweight design for stability of operating machine
- 2-cylinder system for easy working
- Speed-up valve for fast work (Standard)
- High strength and wear resistance materials (Hardox) for reliability

Description		units	MP030R-S	MP050H-S
Weight		lb	761	1,257
Max Opening Width	A	in	19.3	24.0
Overall Width	B	in	30.6	39.4
Overall Length	C	in	44.9	53.5
Overall Height	D	in	13.8	18.3
Crushing Force	F	US ton	20 (@ 3,000psi)	33 (@ 3,500psi)
	G	US ton	31 (@ 3,000psi)	54 (@ 3,500psi)
Cutting Force	H	US ton	75 (@ 3,000psi)	127 (@ 3,500psi)
Cutter Length	K	in	3.9	4.9
Allowable Max. System Pressure		psi	4,000	4,300
Swing Motor Setting Pressure		psi	-	1,100
Recommended Oil Flow	Cylinder	gpm	7.9 ~ 19.8	13.2 ~ 23.8
	S / Motor	gpm	-	2.6 ~ 4.0
Speed-up Valve		-	Standard	Standard
Rotating		-	Free	Hydraulic
Recommended Carrier Weight		lb	5,500 ~ 11,000	9,900 ~ 17,600



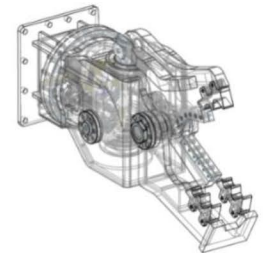
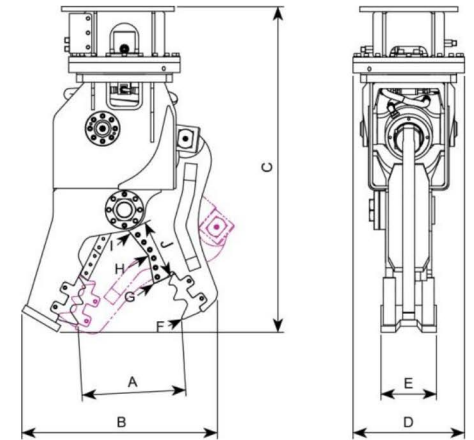
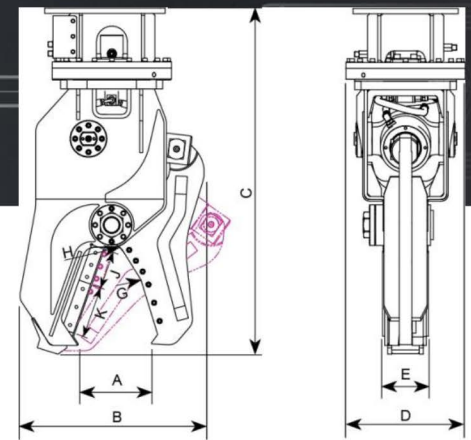
* Above specifications are subject to change without prior notice.

Mini Shear

- Lightweight design for stability of operating machine
- Trunnion mounting cylinder for compact design
- Simple gap adjustment system for maintenance in the field
- High strength and wear resistance materials (Hardox) for reliability
- Full line-up for mini excavators

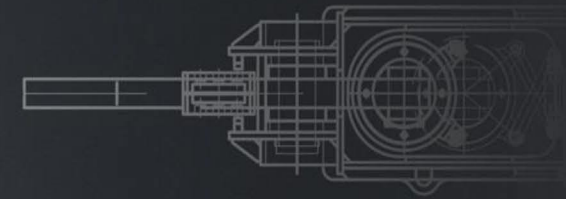
Description		units	SH020R-S	SH030R-S	SH040R-S	SH050H-S	SH050H-SD
Weight		lb	419	639	882	1,102	1,190
Max Opening Width	A	in	8.1	9.1	10.6	11.4	17.0
Overall Width	B	in	18.8	22.2	28.0	28.3	31.1
Overall Length	C	in	37.4	44.4	48.9	53.4	53.4
Overall Height	D	in	11.4	13.8	15.9	18.3	18.3
Body Width	E	in	5.2	5.7	5.7	7.1	9.1
Crushing Force	F	US ton	-	-	-	-	37 (@ 3,500psi)
Cutting Force	G	US ton	34 (@ 3,000psi)	48 (@ 3,000psi)	61 (@ 3,000psi)	78 (@ 3,500psi)	57 (@ 3,500psi)
	H	US ton	67 (@ 3,000psi)	119 (@ 3,000psi)	79 (@ 3,000psi)	188 (@ 3,500psi)	88 (@ 3,500psi)
	I	US ton	-	-	182 (@ 3,000psi)	-	188 (@ 3,500psi)
Cutter Length	J	in	3.9	4.9	4.9	5.9	9.7
	K	in	3.9	5.9	-	7.9	-
Allowable Max. System Pressure		psi	4,000	4,000	4,000	4,300	4,300
Swing Motor Setting Pressure		psi	-	-	-	1,100	1,100
Recommended Oil Flow	Cylinder	gpm	5.3 ~ 11.9	7.9 ~ 19.8	7.9 ~ 23.8	13.2 ~ 23.8	13.2 ~ 23.8
	S / Motor	gpm	-	-	-	2.6 ~ 4.0	2.6 ~ 4.0
Rotating		-	Free			Hydraulic	
Recommended Carrier Weight		lb	3,300 ~ 6,600	5,500 ~ 11,000	7,700 ~ 17,600	9,900 ~ 17,600	9,900 ~ 17,600

Above specifications are subject to change without prior notice.

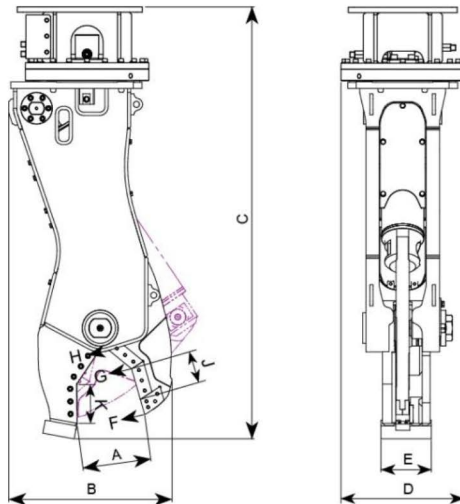


Demolition Shear (SH050H-SD)

Mini Scrap Shear (Piercing type)



- Piercing shearing
- Simple gap adjustment system for maintenance in the field
- High strength and wear resistance materials (Hardox) for reliability

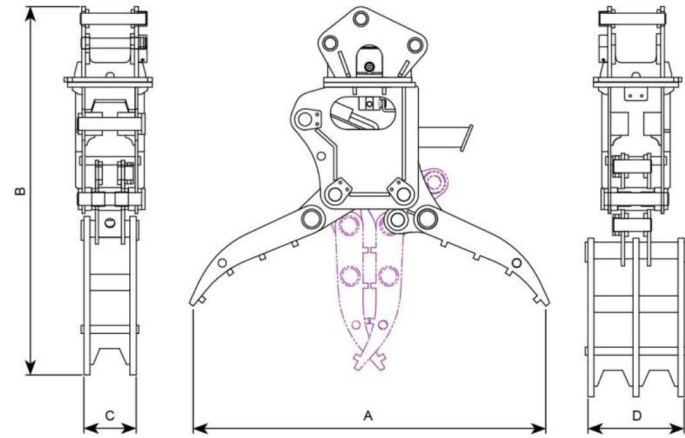


Description		units	SS050H-S
Weight		lb	1,036
Max Opening Width	A	in	10.2
Overall Width	B	in	24.3
Overall Length	C	in	64.1
Overall Height	D	in	18.3
Body Width	E	in	7.5
Cutting Force	F	US ton	33 (@ 3,500psi)
	G	US ton	63 (@ 3,500psi)
	H	US ton	136 (@ 3,500psi)
Cutter Length	J	in	4.7
	K	in	5.7
Allowable Max. System Pressure		psi	4,300
Swing Motor Setting Pressure		psi	1,100
Recommended Oil Flow	Cylinder	gpm	13.2 ~ 23.8
	S / Motor	gpm	2.6 ~ 4.0
Rotating		-	Hydraulic
Recommended Carrier Weight		lb	9,900 ~ 17,600

* Above specifications are subject to change without prior notice.

Mini Fork

- Lightweight design for stability of operating machine
- 4-bar linkage system for fast motion and wide opening
- High strength and wear resistance materials (Hardox) for reliability
- Full line-up for mini excavators



Rotating

Description		units	TF010R	TF020R	TF030R
Weight		lb	170	326	481
Max Opening Width	A	in	33.8	42.5	49.2
Overall Length	B	in	36.9	44.4	52.0
Upper arm Width	C	in	4.9	6.3	8.1
Lower arm Width	D	in	9.4	11.6	14.6
Allowable Max. System Pressure		psi	4,000	4,000	4,000
Recommended Oil Flow		gpm	4.0 ~ 9.2	5.3 ~ 11.9	7.9 ~ 19.8
Recommended Carrier Weight		lb	1,500 ~ 4,400	3,300 ~ 6,600	5,500 ~ 11,000

* Above specifications are subject to change without prior notice.

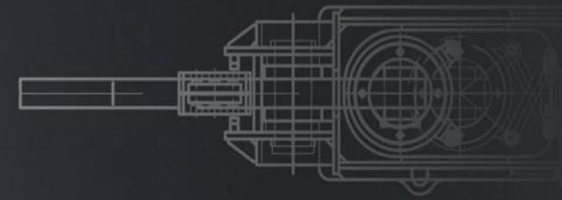
Fixed

Description		units	TF010F	TF020F	TF030F	TF050F
Weight		lb	132	254	364	661
Max Opening Width	A	in	33.8	42.5	49.2	53.5
Overall Length	B	in	29.5	37.4	43.5	49.8
Upper arm Width	C	in	4.9	6.3	8.1	9.1
Lower arm Width	D	in	9.4	11.6	14.6	15.4
Allowable Max. System Pressure		psi	4,000	4,000	4,000	4,000
Recommended Oil Flow		gpm	4.0 ~ 9.2	5.3 ~ 11.9	7.9 ~ 19.8	13.2 ~ 23.8
Recommended Carrier Weight		lb	1,500 ~ 4,400	3,300 ~ 6,600	5,500 ~ 11,000	9,900 ~ 17,600

* Above specifications are subject to change without prior notice.



Mini Stone Grab



- 360° hydraulic rotating
- Internal gear type swing bearing for durability
- High strength and wear resistance materials (Hardox) for reliability
- Double relief valve for swing motor

Description		units	ST050H	
			2x2	2x3
Weight		lb	794	805
Arm Max Opening Width	A	in	50.7	
Overall Length	B	in	43.8	
	C	in	49.4	
Arm Width	D	in	6.2	16.5
	E	in	13.0	9.8
Arm radius	F	in	33.5	
Allowable Max. System Pressure		psi	3,400	
Swing Motor Setting Pressure		psi	1,100	
Recommended Oil Flow	Cylinder	gpm	13.2 ~ 23.8	
	S / Motor	gpm	2.6 ~ 4.0	
Rotating		-	Hydraulic	
Recommended Carrier Weight		lb	11,000 ~ 17,600	

* Above specifications are subject to change without prior notice.

